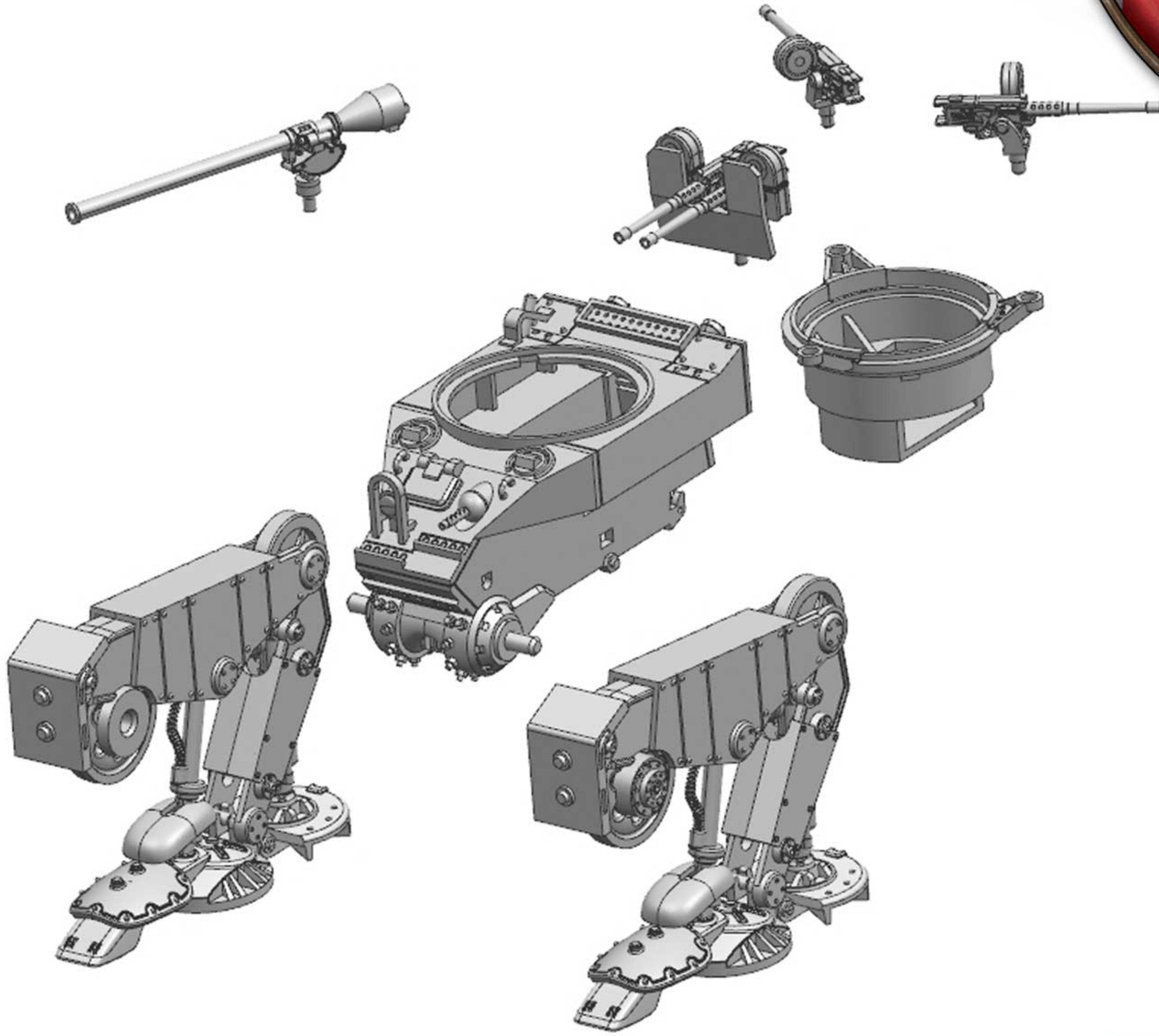


RECON MICKEY II AND III ASSEMBLY INSTRUCTIONS



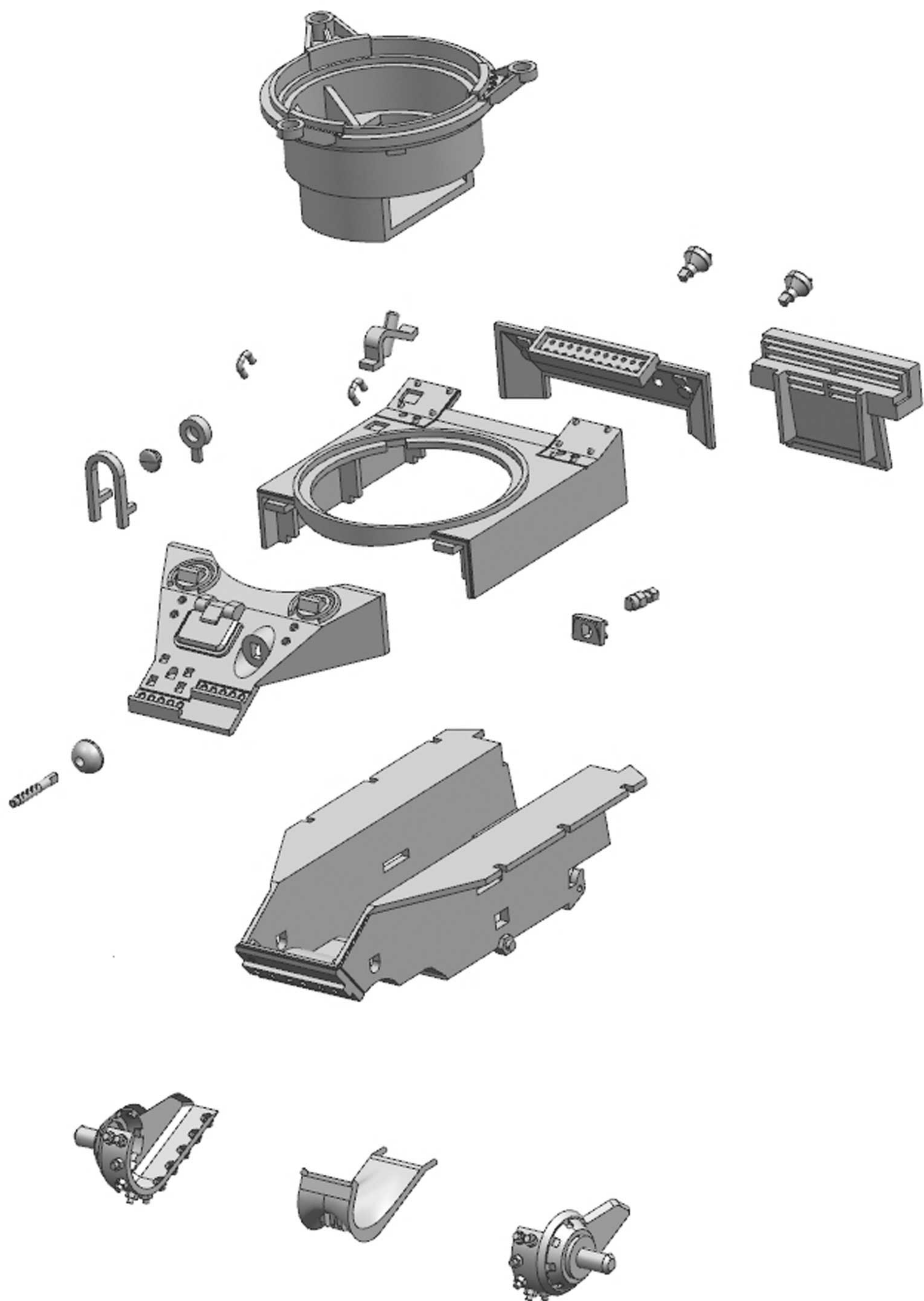
REMEMBER TO
DRY-FIT
YOUR PARTS
BEFORE USING
ANY GLUE.



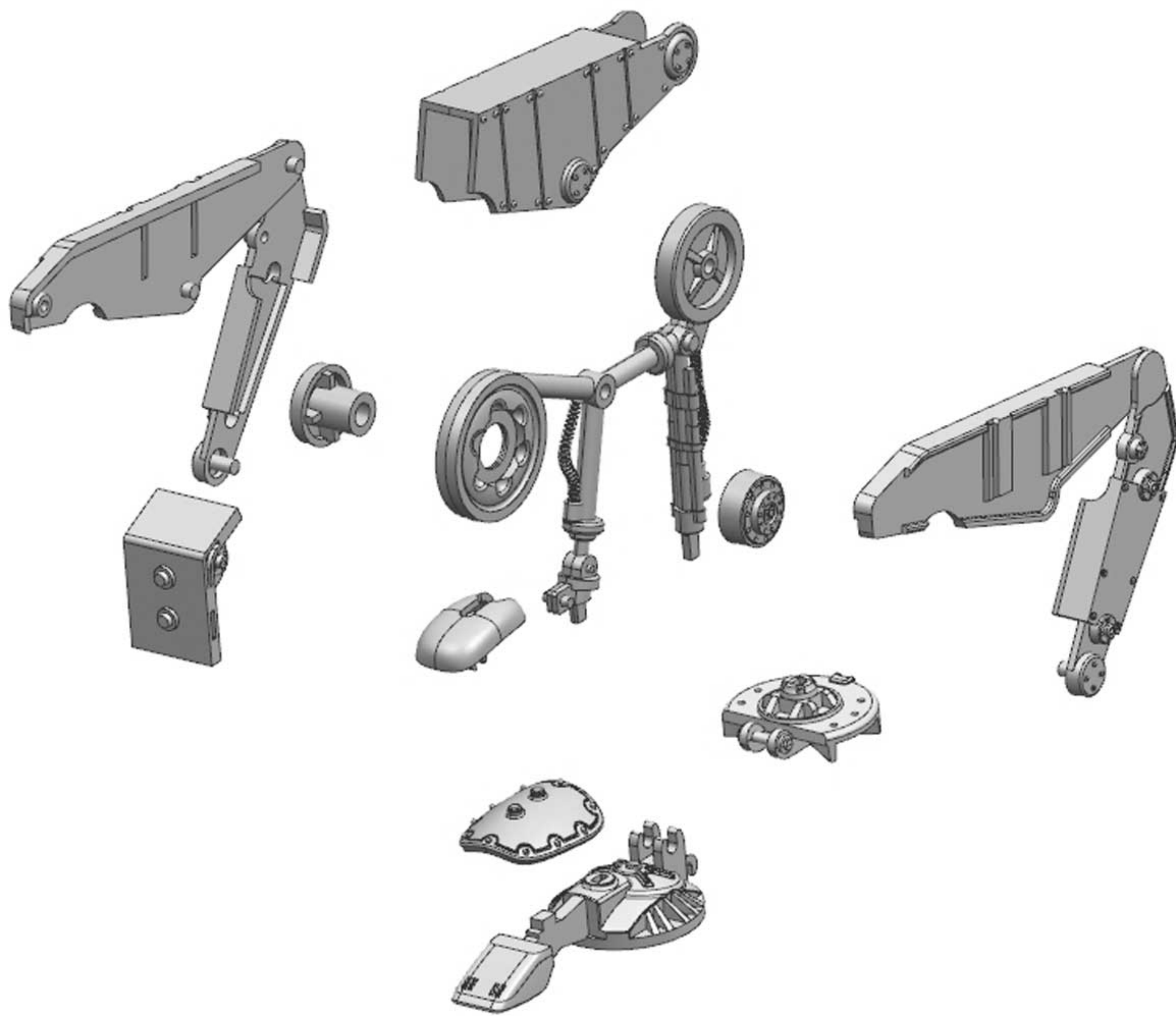
TOYFEST
STUDIO

K-AL716

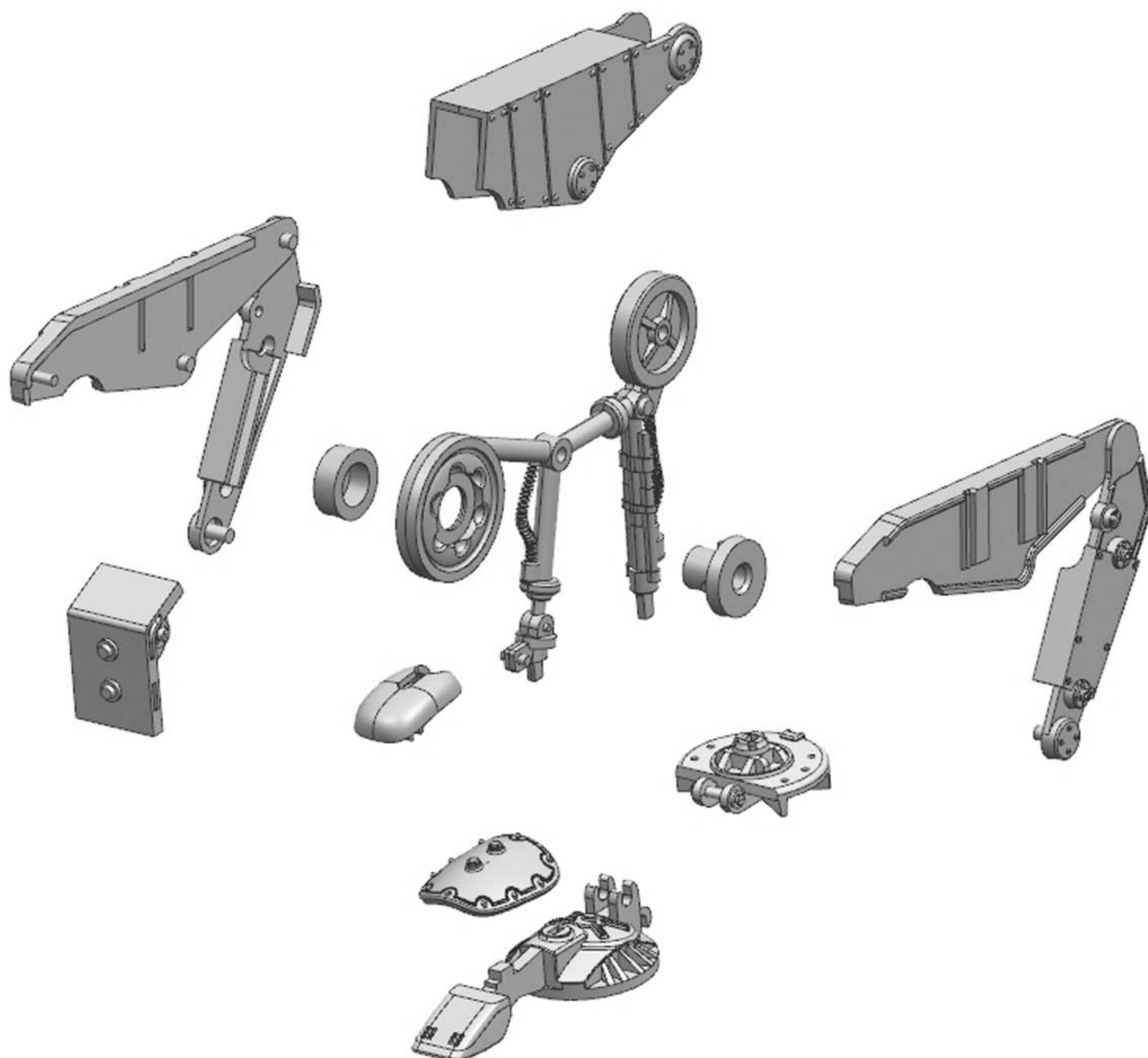
BODY ASSEMBLY.



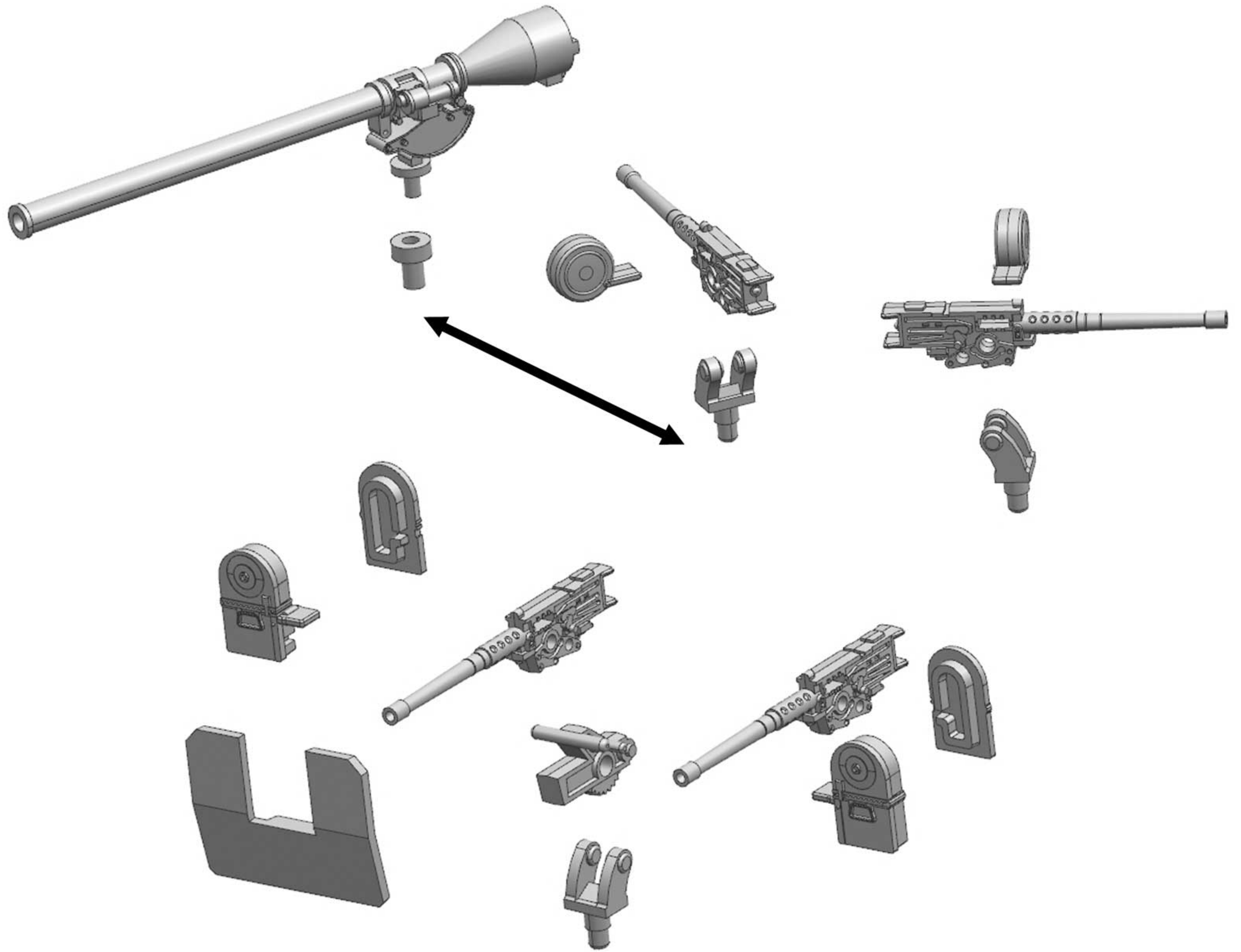
LEFT LEG ASSEMBLY.



RIGHT LEG ASSEMBLY.



WEAPONS ASSEMBLY.



THIS SET INCLUDES
AN ALLIES DECAL
SHEET AND TWO
UNIT CARDS, ONE FOR
THE RECON 2 AND ONE
FOR THE RECON 3.

