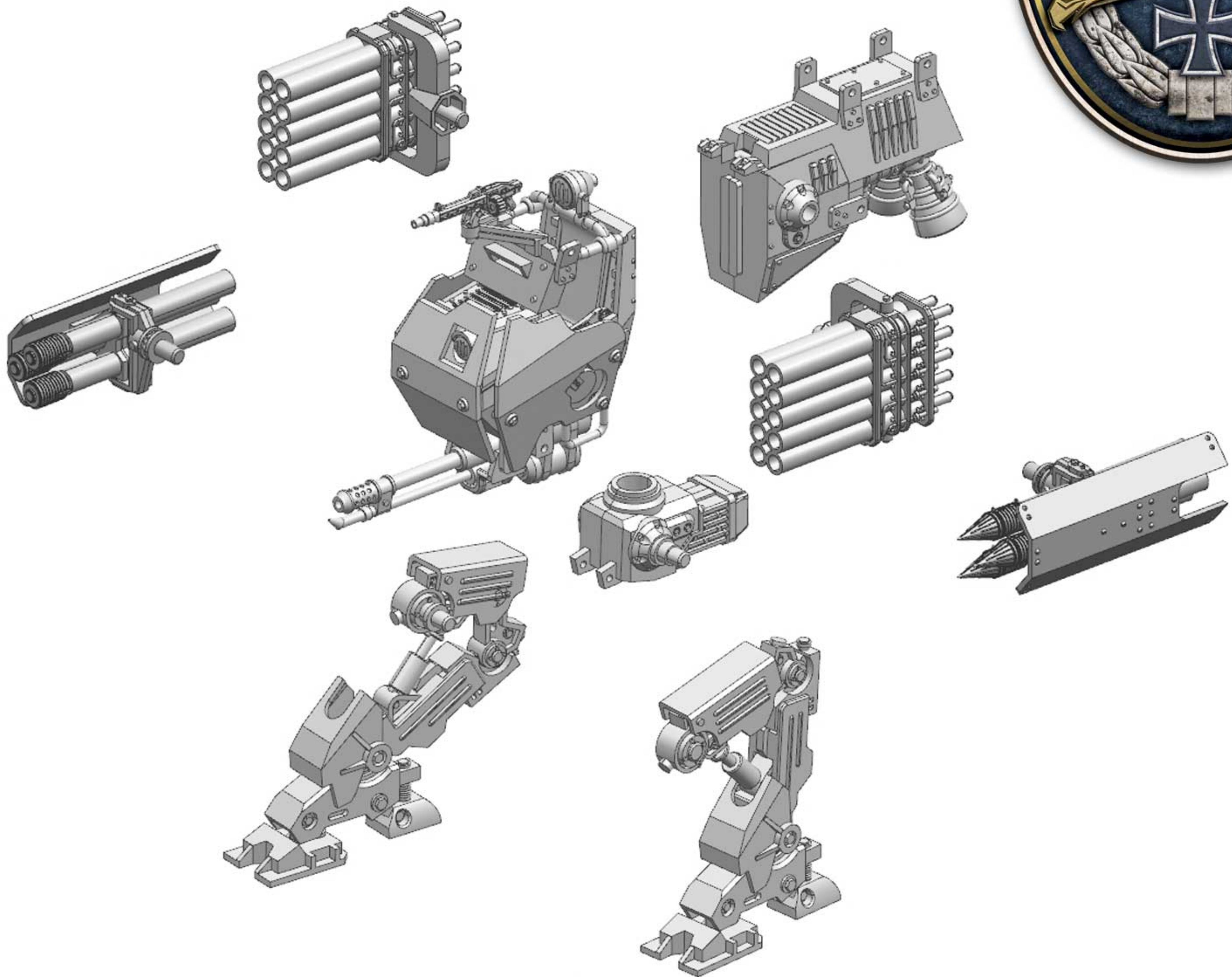


LUFT HANS + LUFT HORST ASSEMBLY INSTRUCTIONS



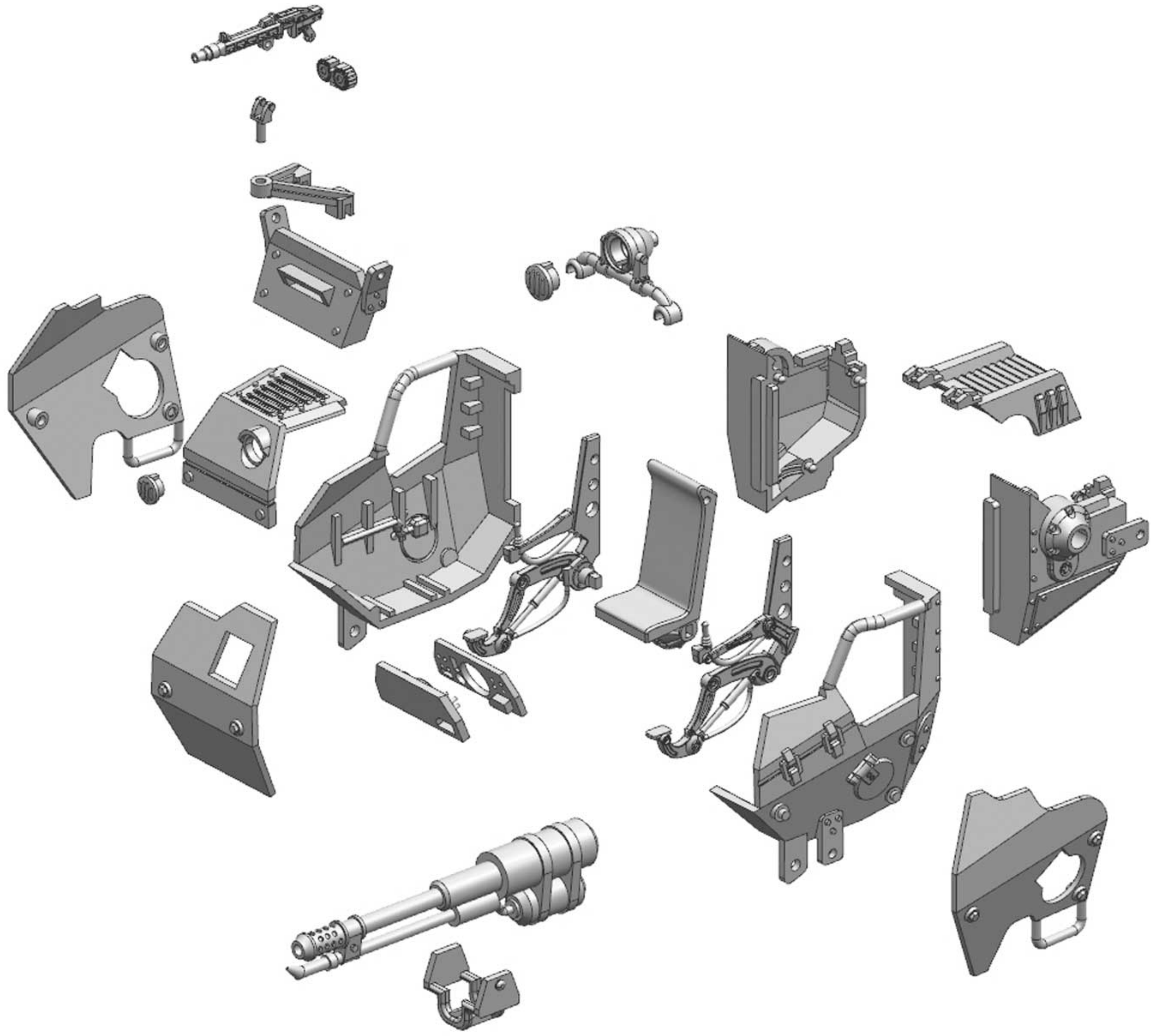
REMEMBER TO
DRY-FIT
YOUR PARTS
BEFORE USING
ANY GLUE.



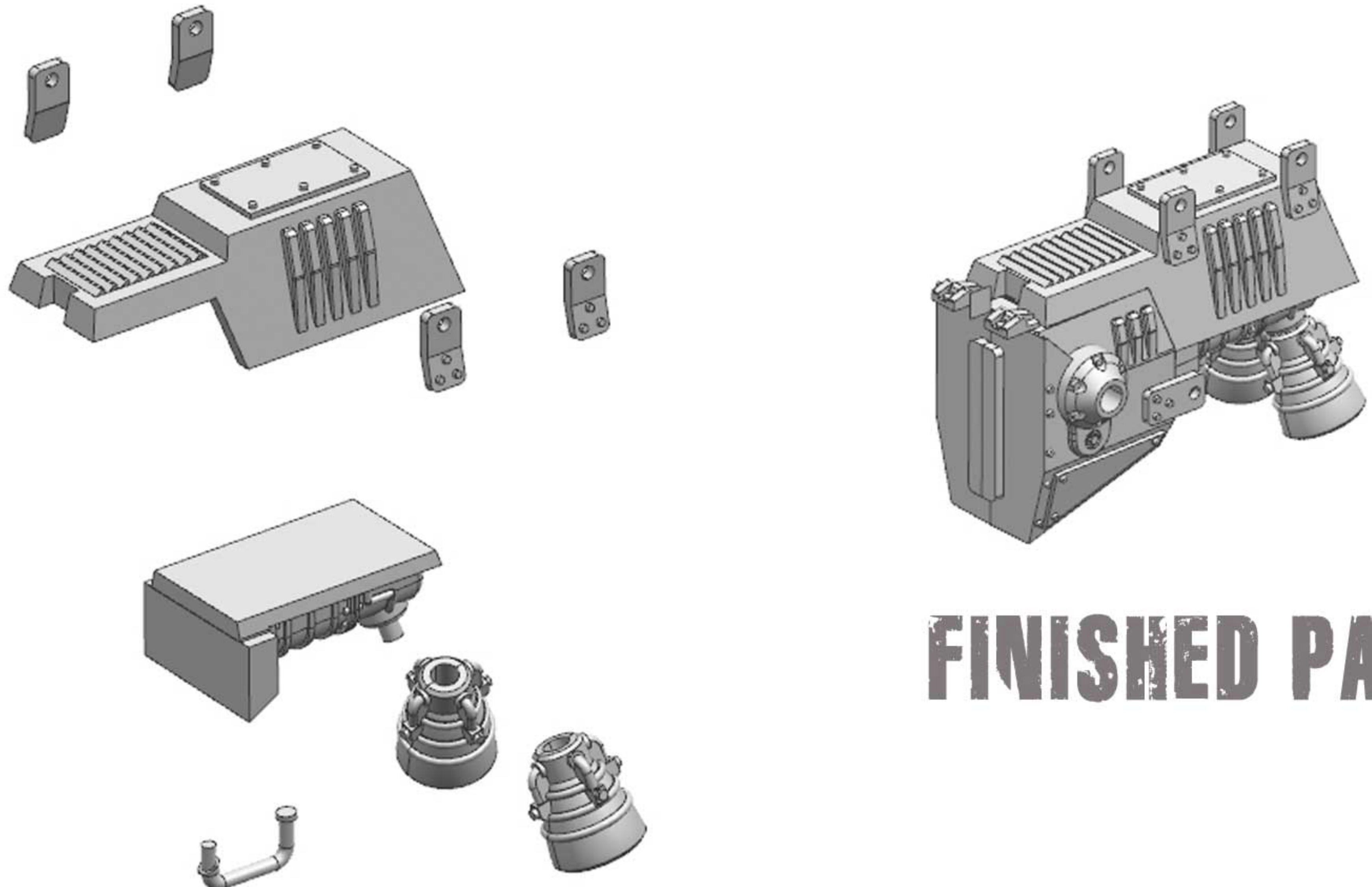
TOULOUSE
STUDIO

K-AX721

BODY ASSEMBLY.



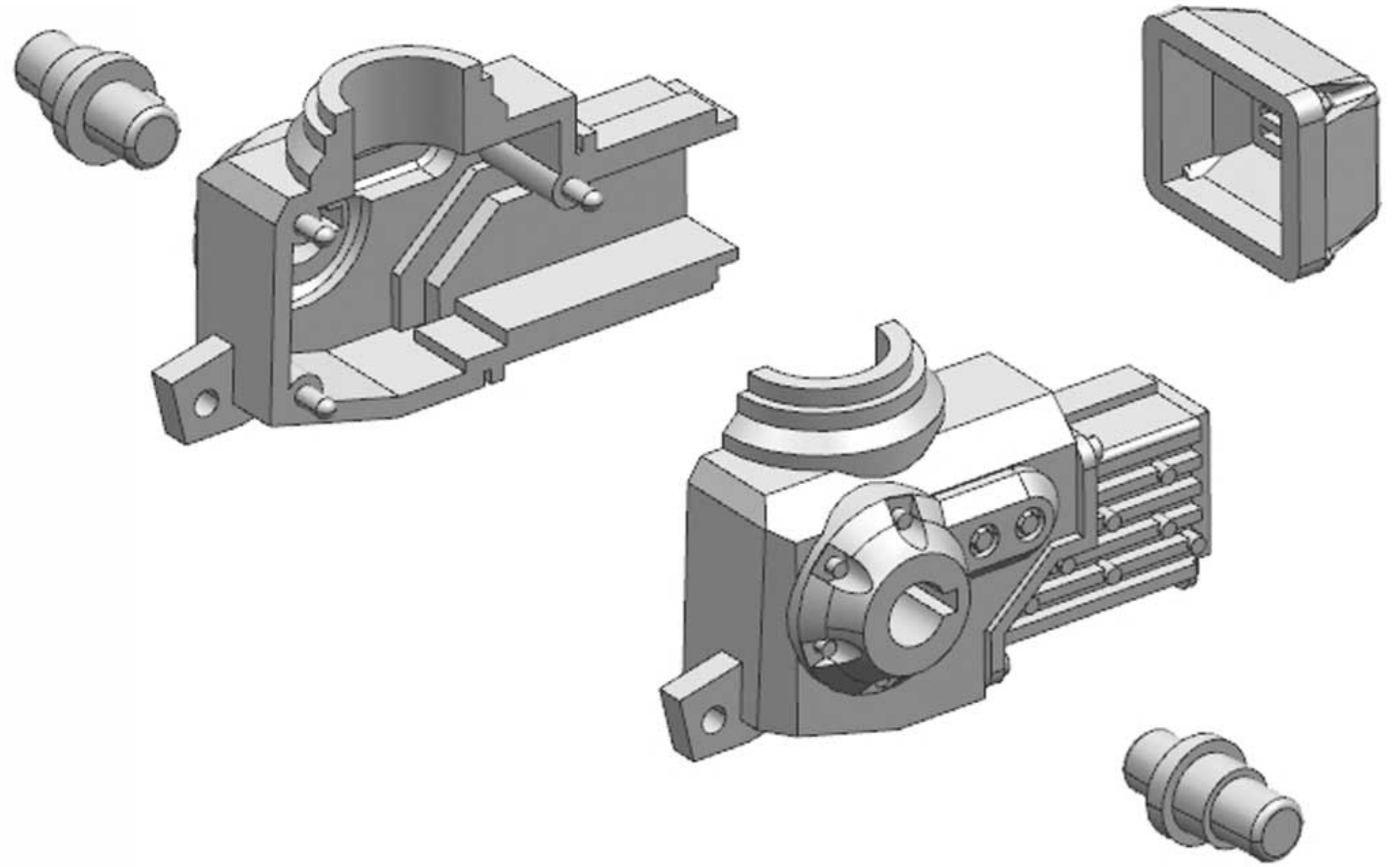
DETACHABLE LANDING THRUSTERS ASSEMBLY.



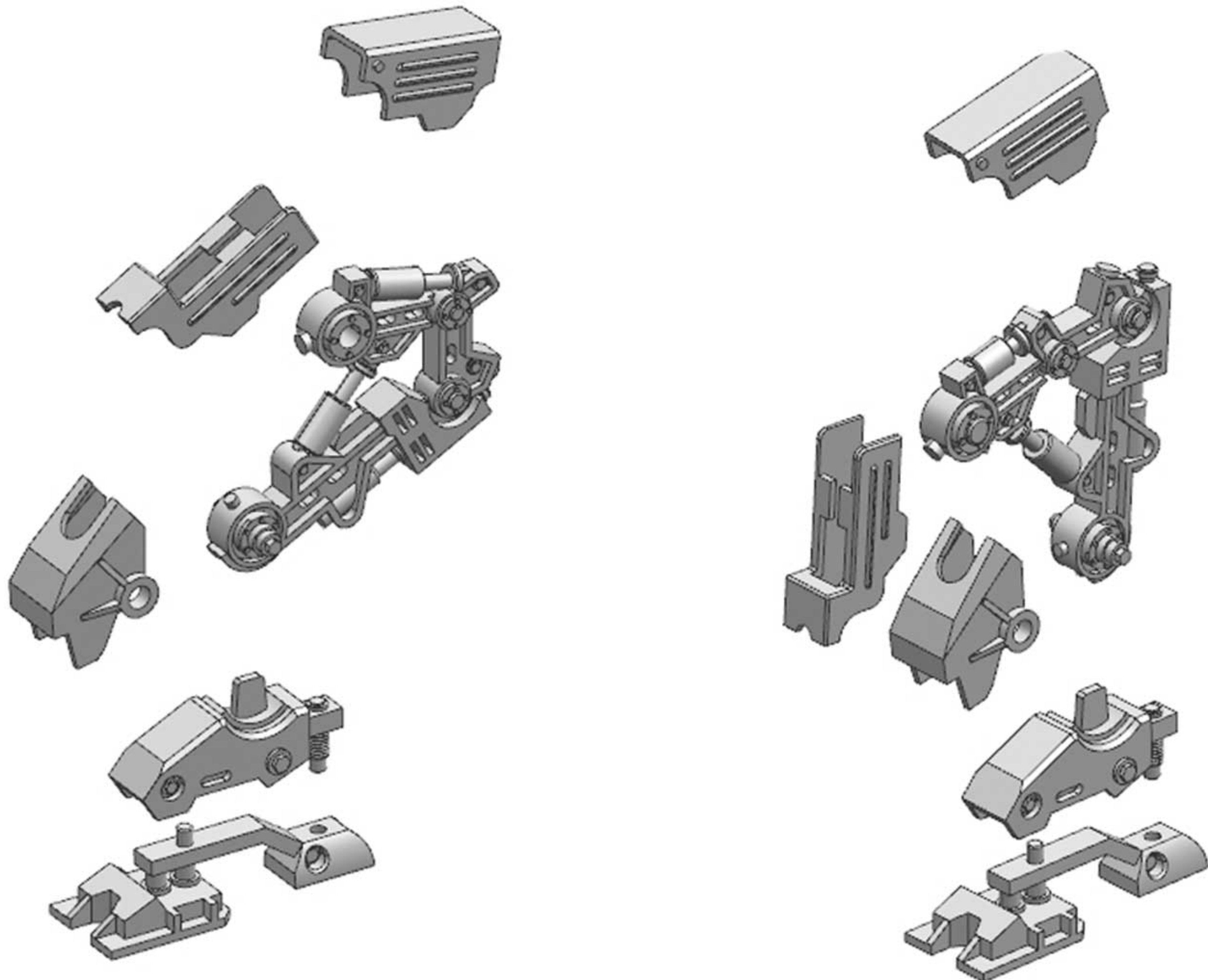
FINISHED PART.

HIPS ASSEMBLY.

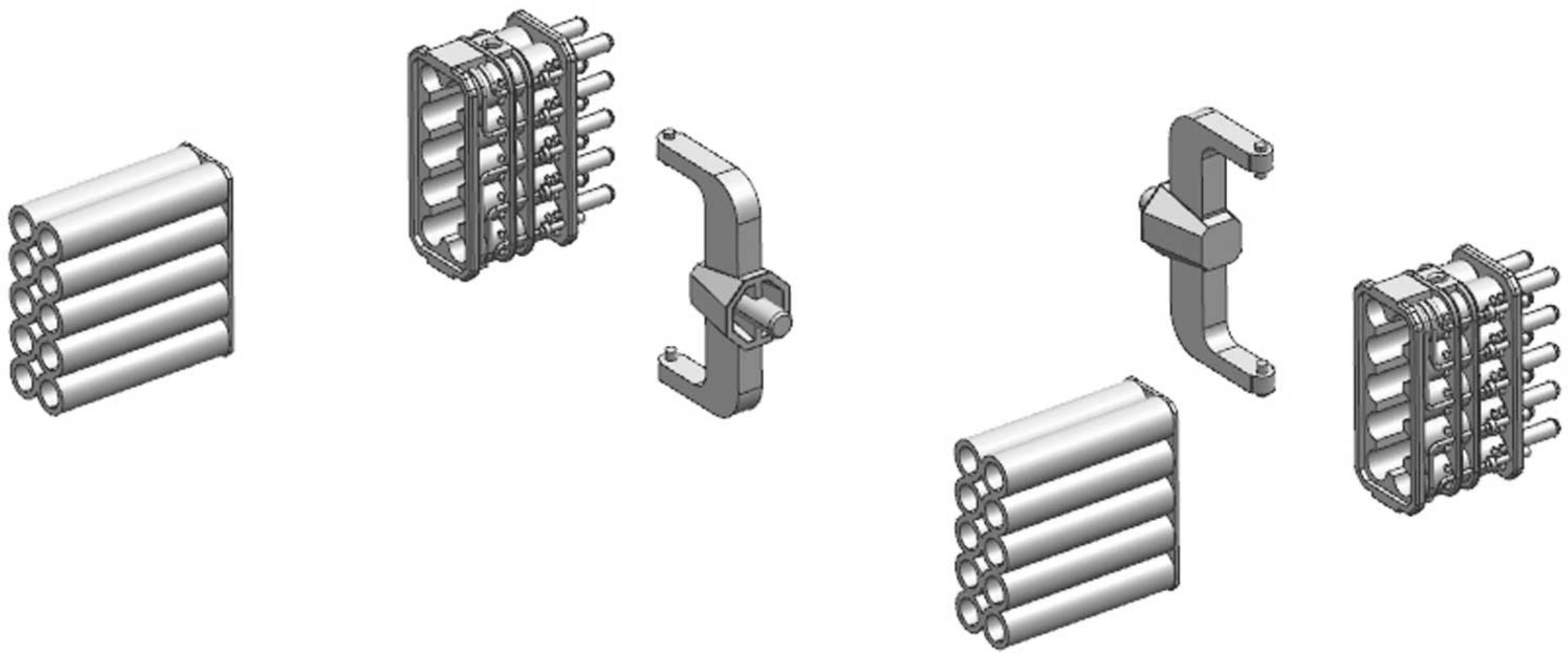
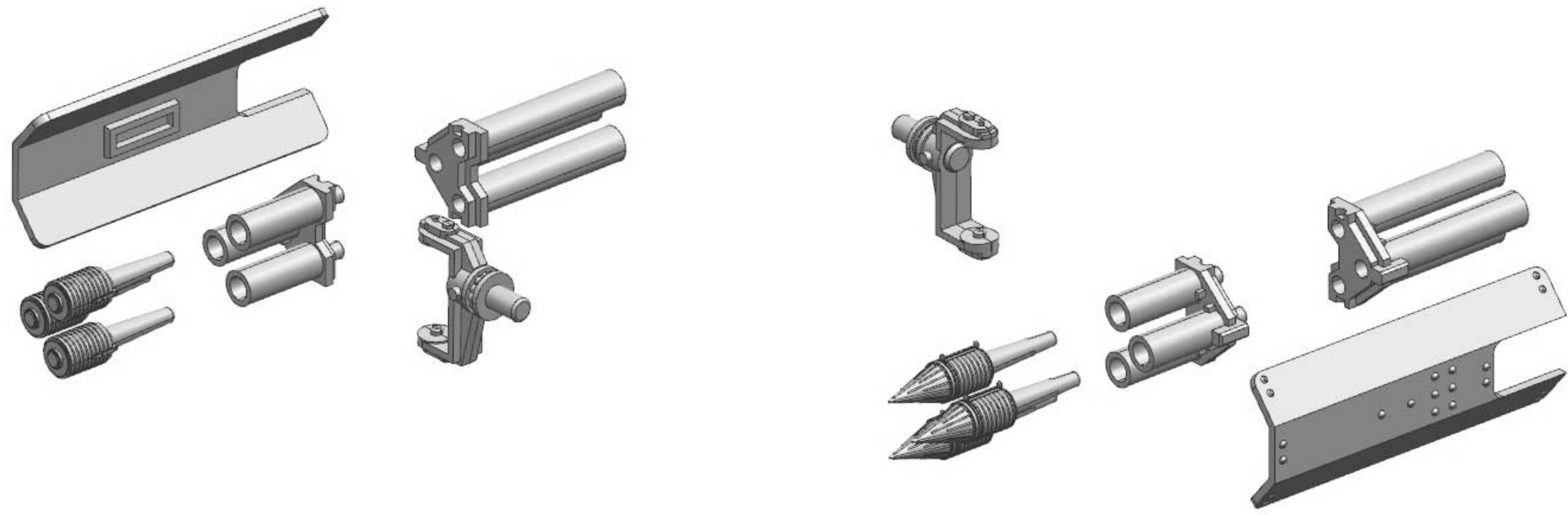
PLEASE NOTE THAT
YOU CAN INVERSE
THE LEGS FROM
LEFT TO RIGHT AND
VICE VERSA.



LEGS ASSEMBLY.



WEAPONS ASSEMBLY.



THIS SET INCLUDES
A LUFTWAFFE DECAL
SHEET AND TWO
UNIT CARDS, ONE FOR
THE HANS AND ONE
FOR THE HORST.

