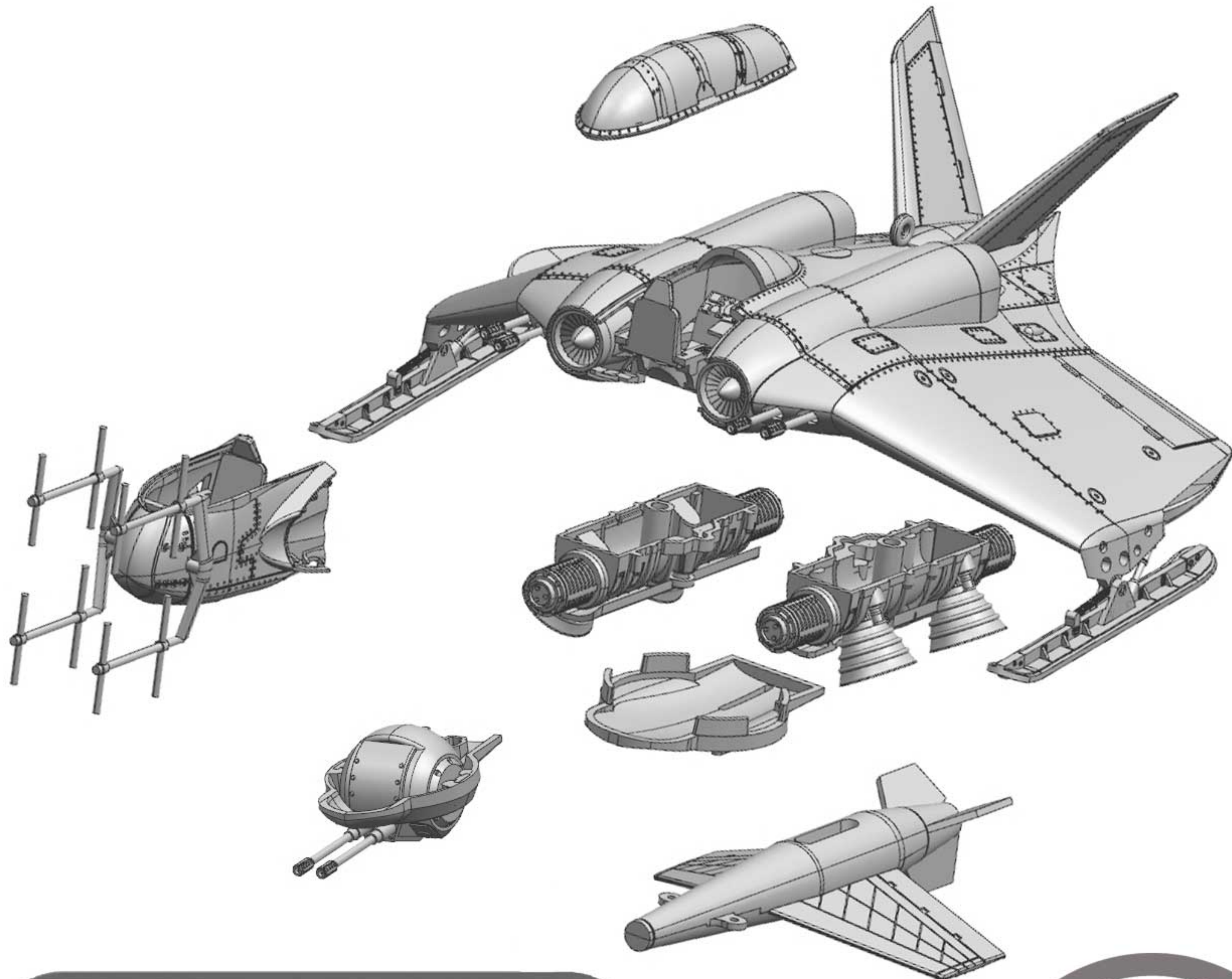


HEXE/GEIST

HORTEN HO-387 FLEDERMAUS
(NIGHT BOMBER/FIGHTER)



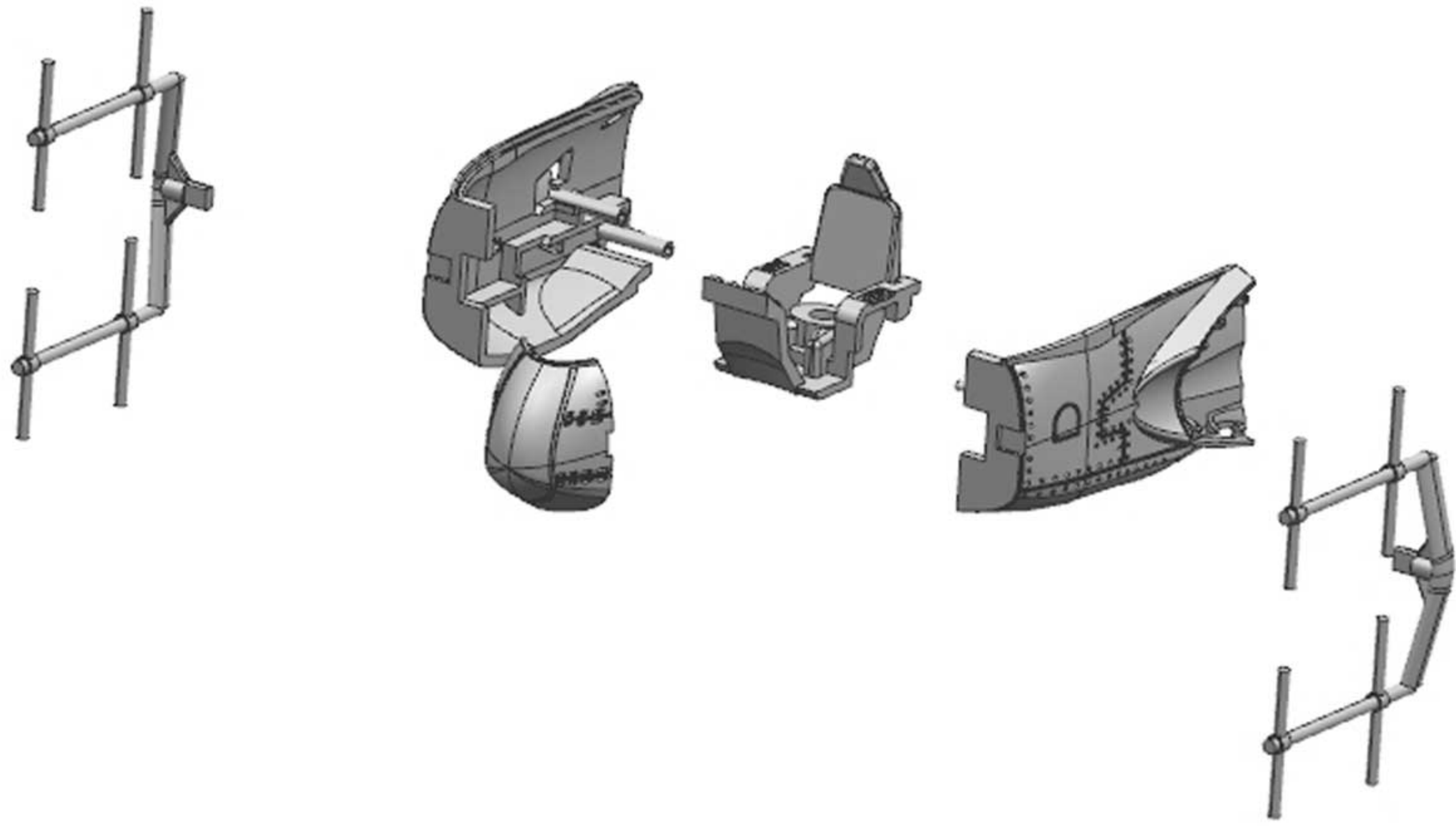
REMEMBER TO
DRY-FIT
YOUR PARTS
BEFORE USING
ANY GLUE.



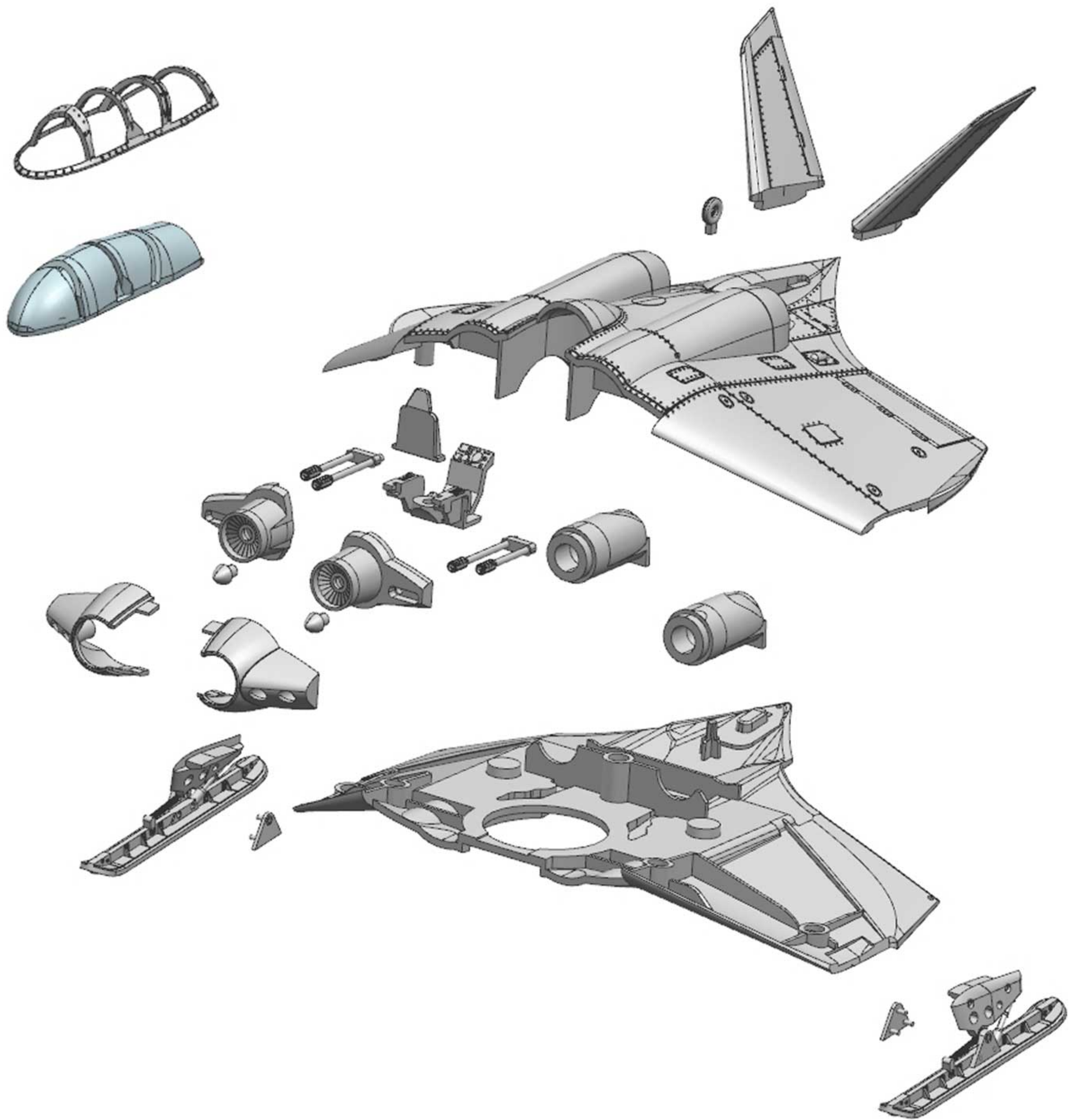
TOULOUSE
STUDIO

K-AX814

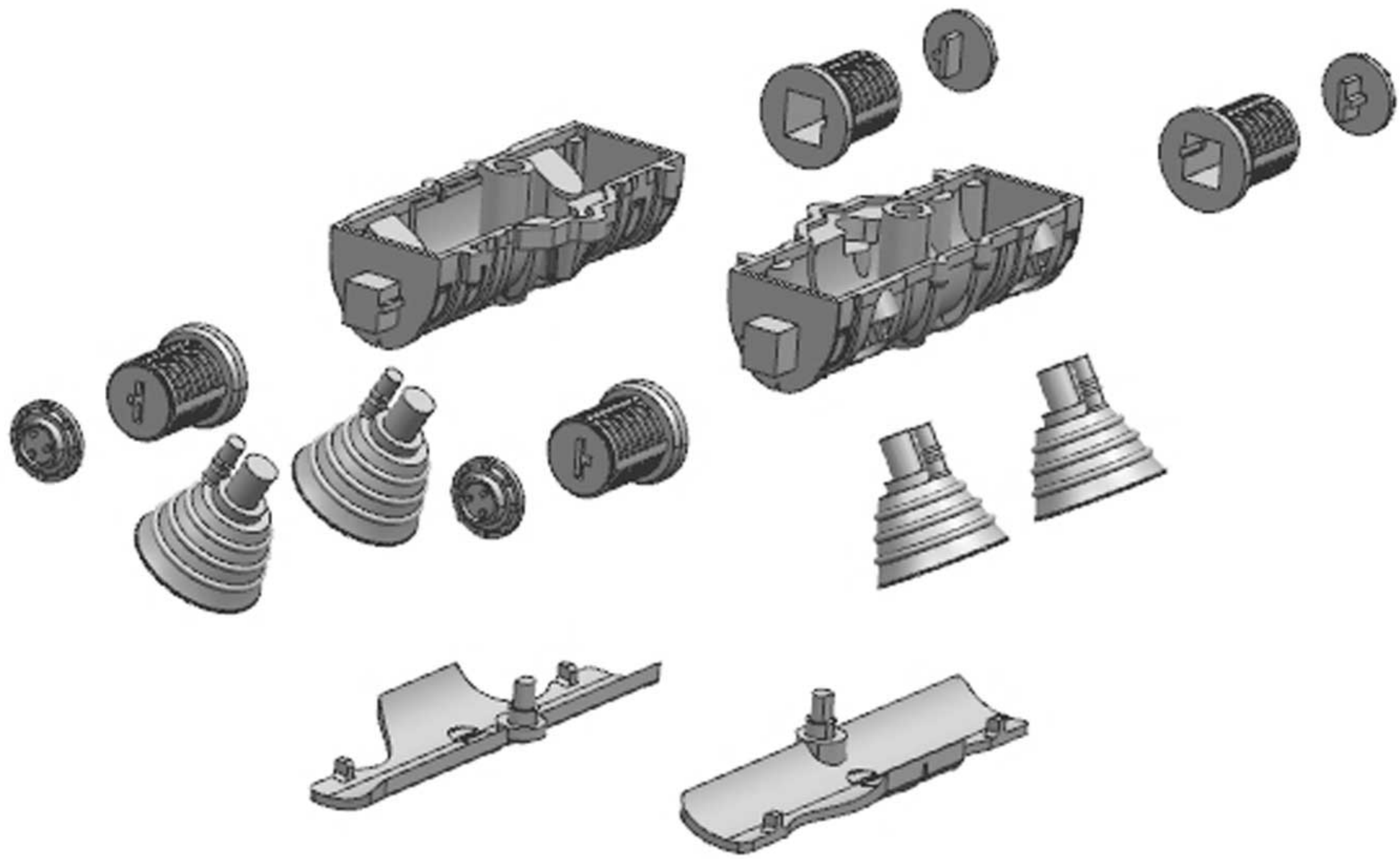
NOSE ASSEMBLY.



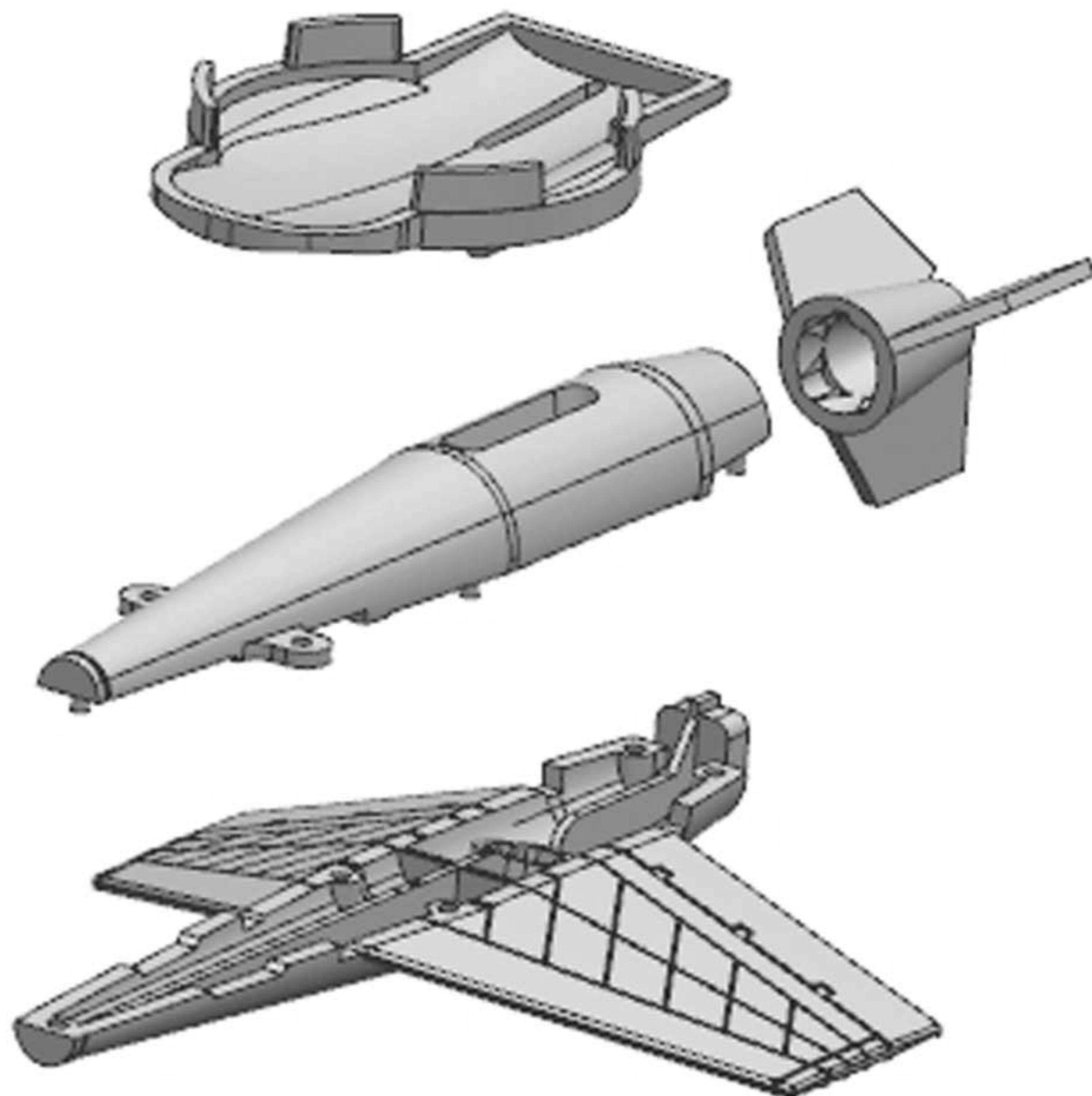
MAIN BODY ASSEMBLY.



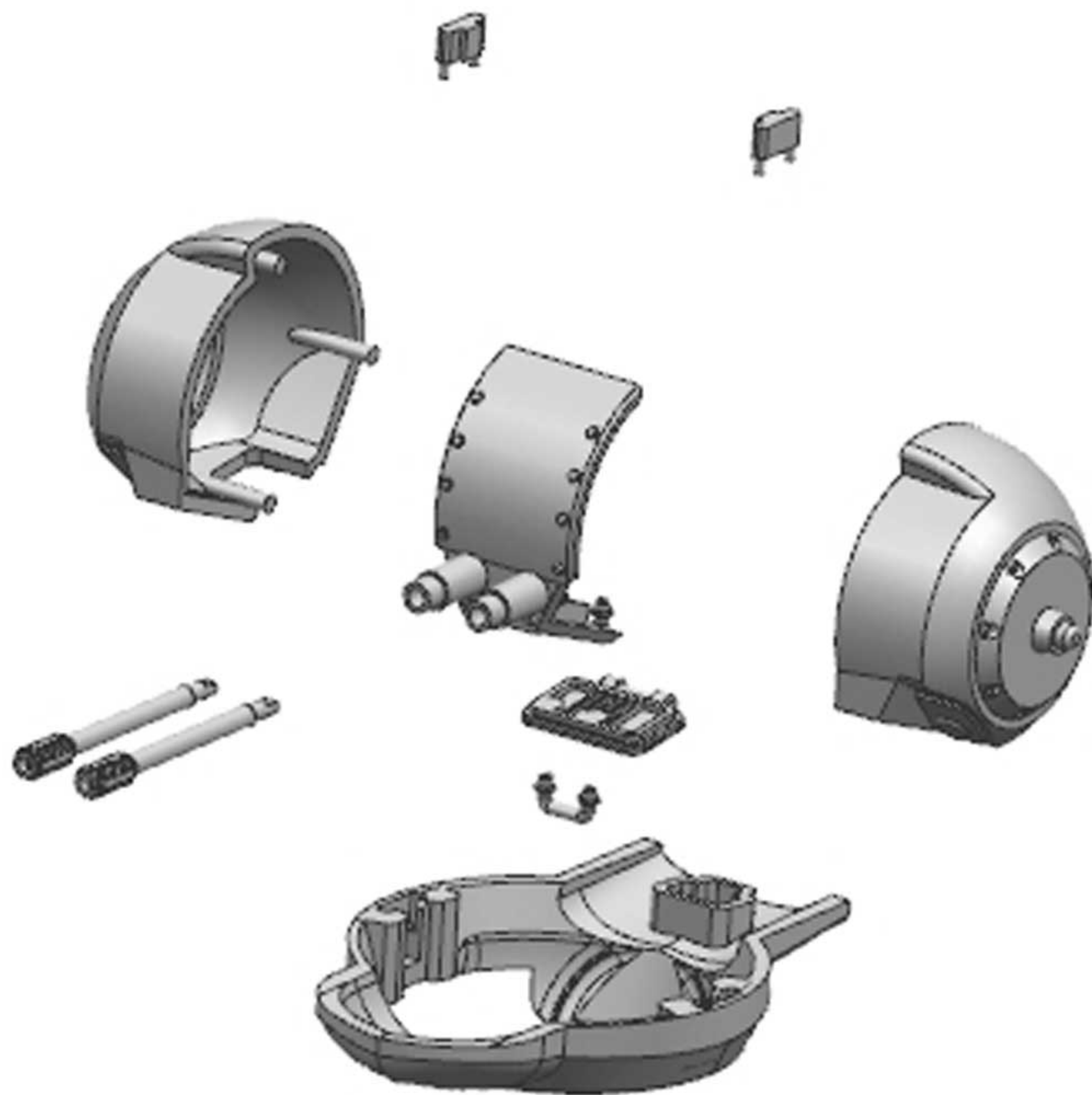
ANTI-GRAV SYSTEM ASSEMBLY.



GLIDING BOMB ASSEMBLY.



GEIST TURRET ASSEMBLY.



THIS SET INCLUDES
A LUFTWAFFE DECAL
SHEET AND TWO
UNIT CARDS ONE FOR
THE HEXE AND ONE
FOR THE GEIST.

