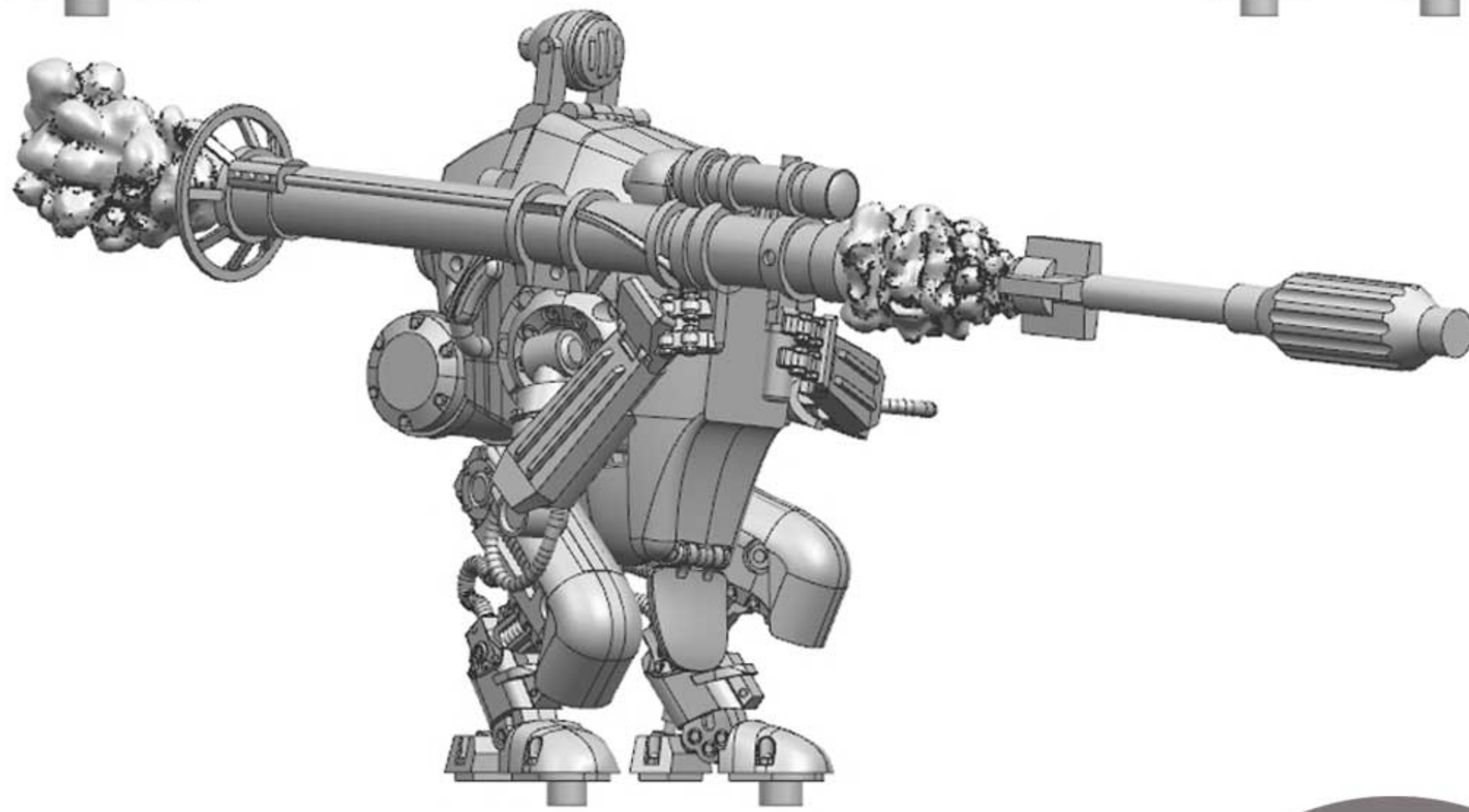
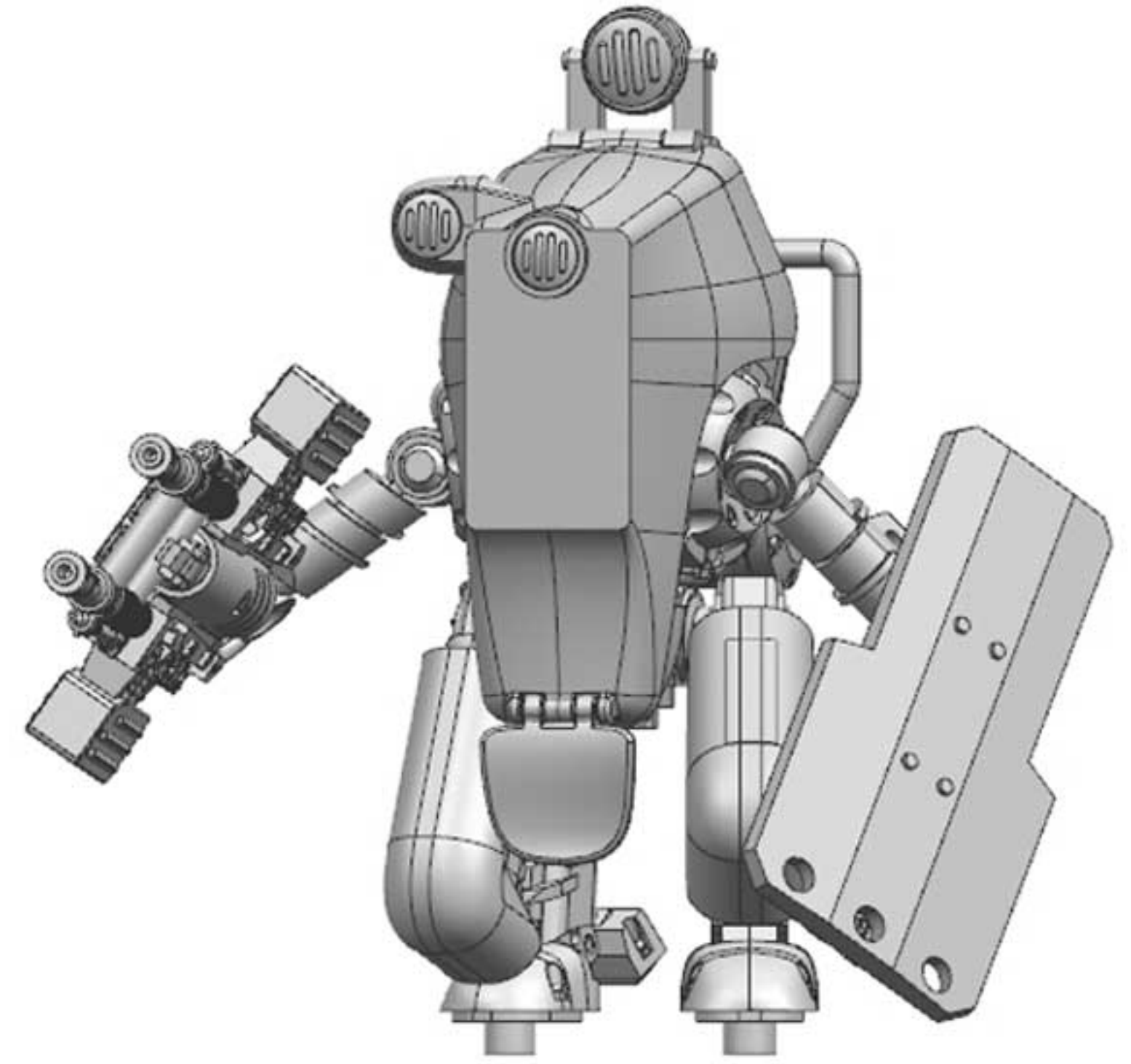
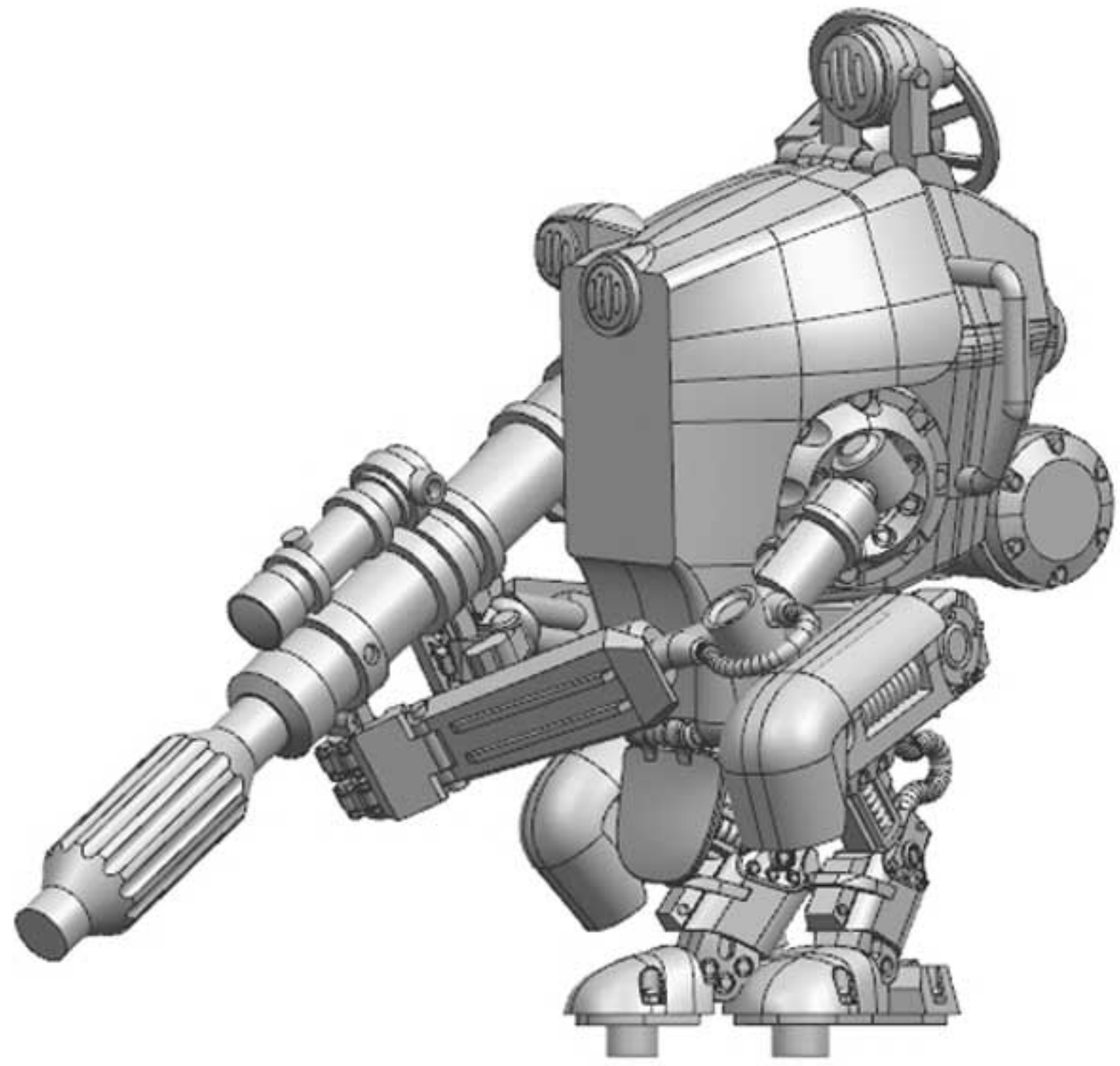


STEEL GUARDS ANTI-INFANTRY SQUAD ASSEMBLY INSTRUCTIONS



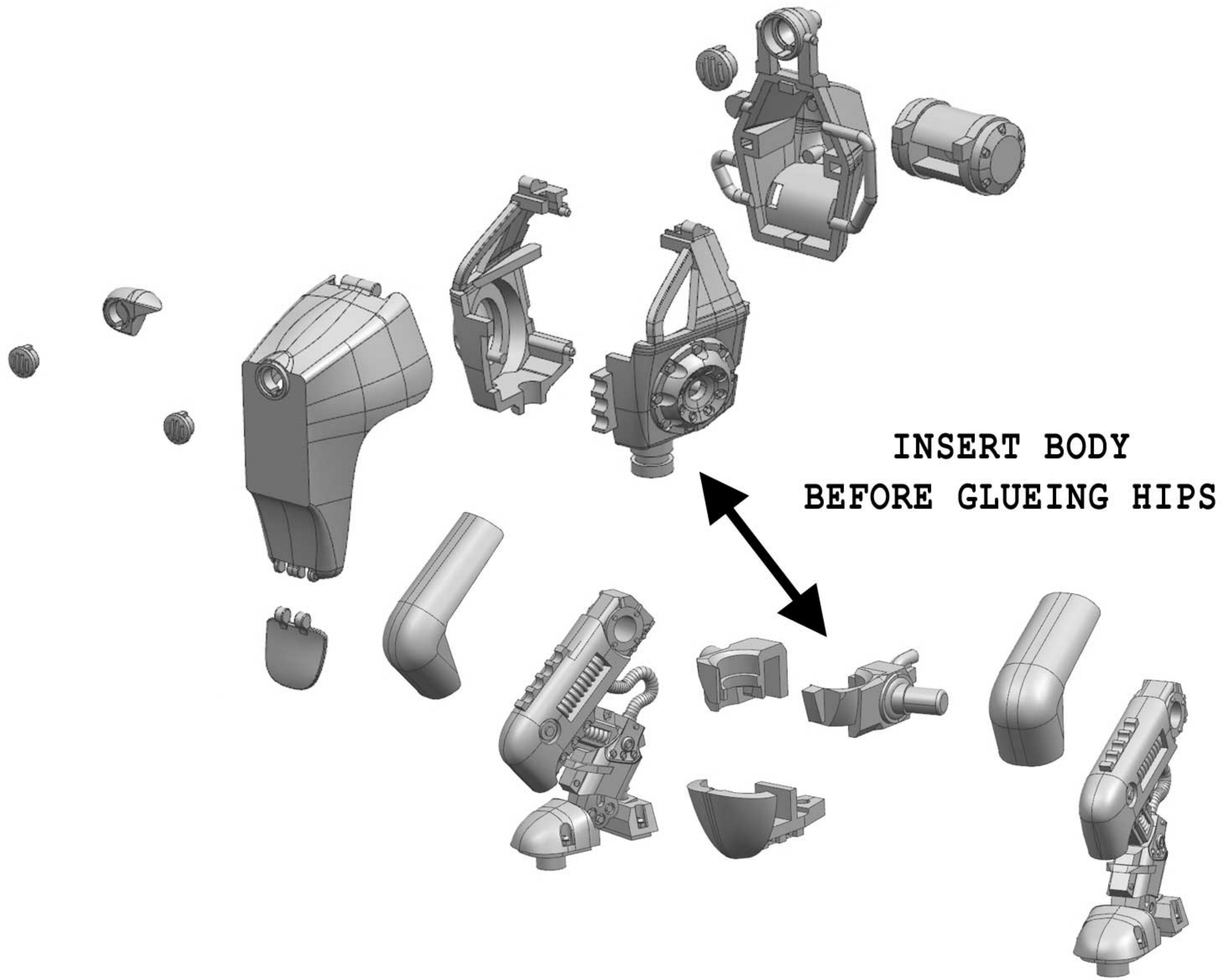
REMEMBER TO
DRY-FIT
YOUR PARTS
BEFORE USING
ANY GLUE.



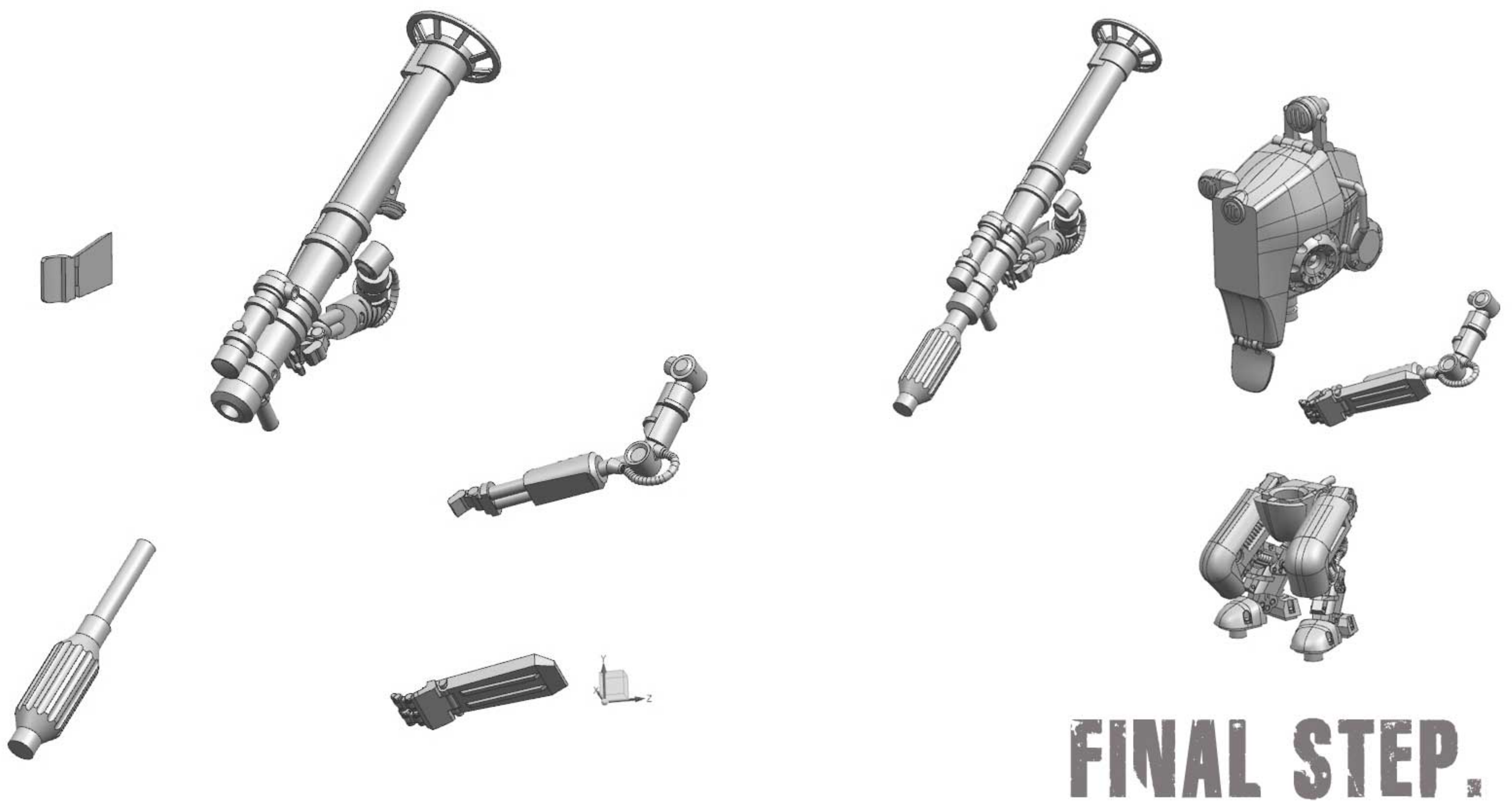
DUNE
STUDIO

K-SU338

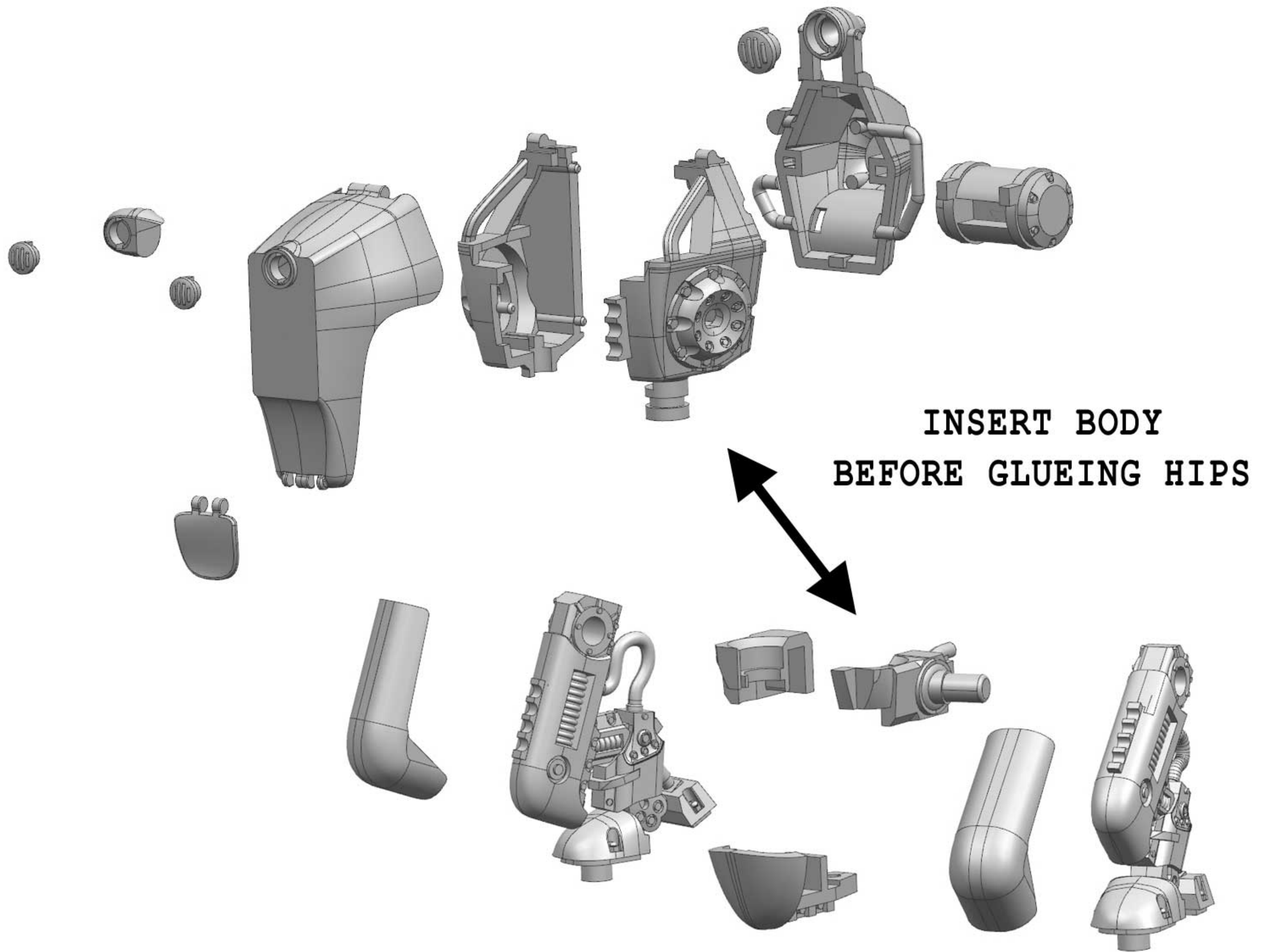
SOLDIER N.1 BODY AND LEGS ASSEMBLY.



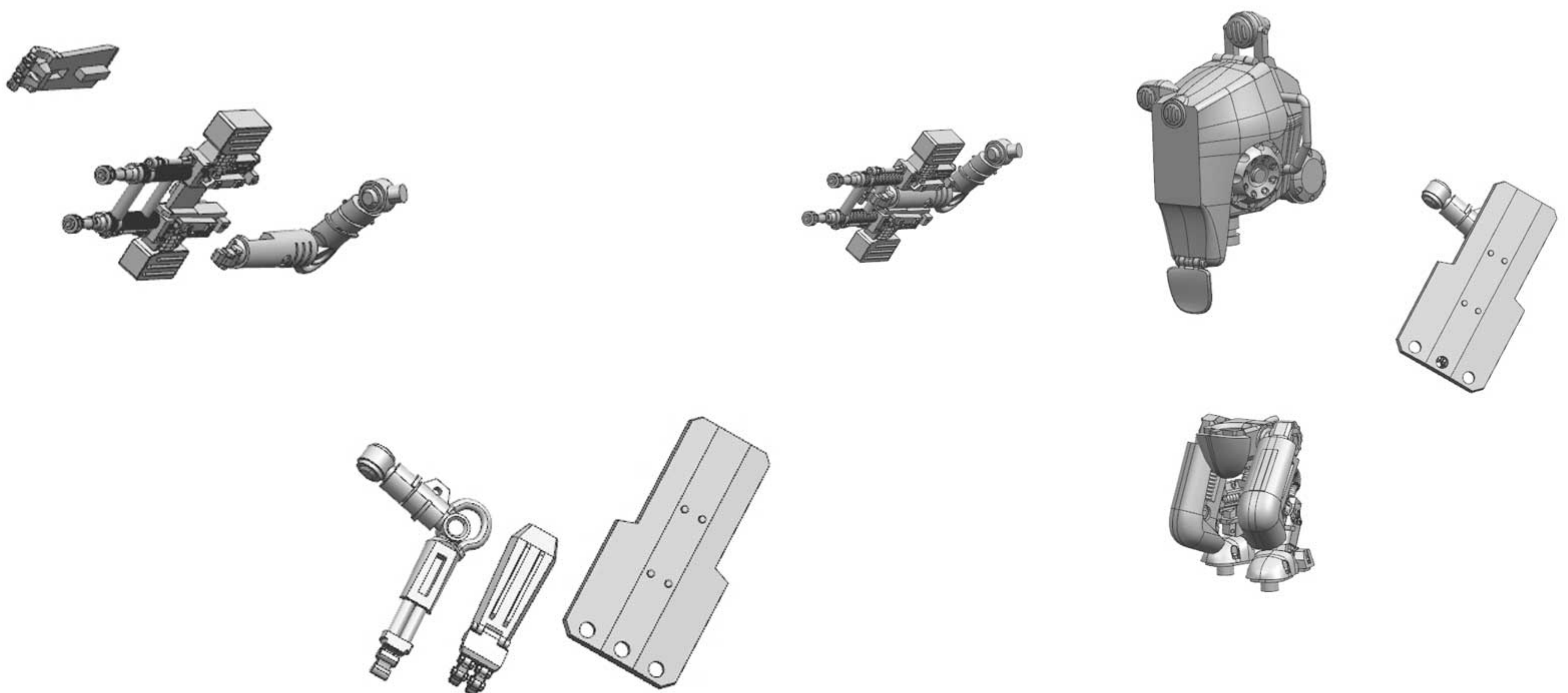
ARMS AND WEAPONS ASSEMBLY.



SOLDIER N.2 BODY AND LEGS ASSEMBLY.

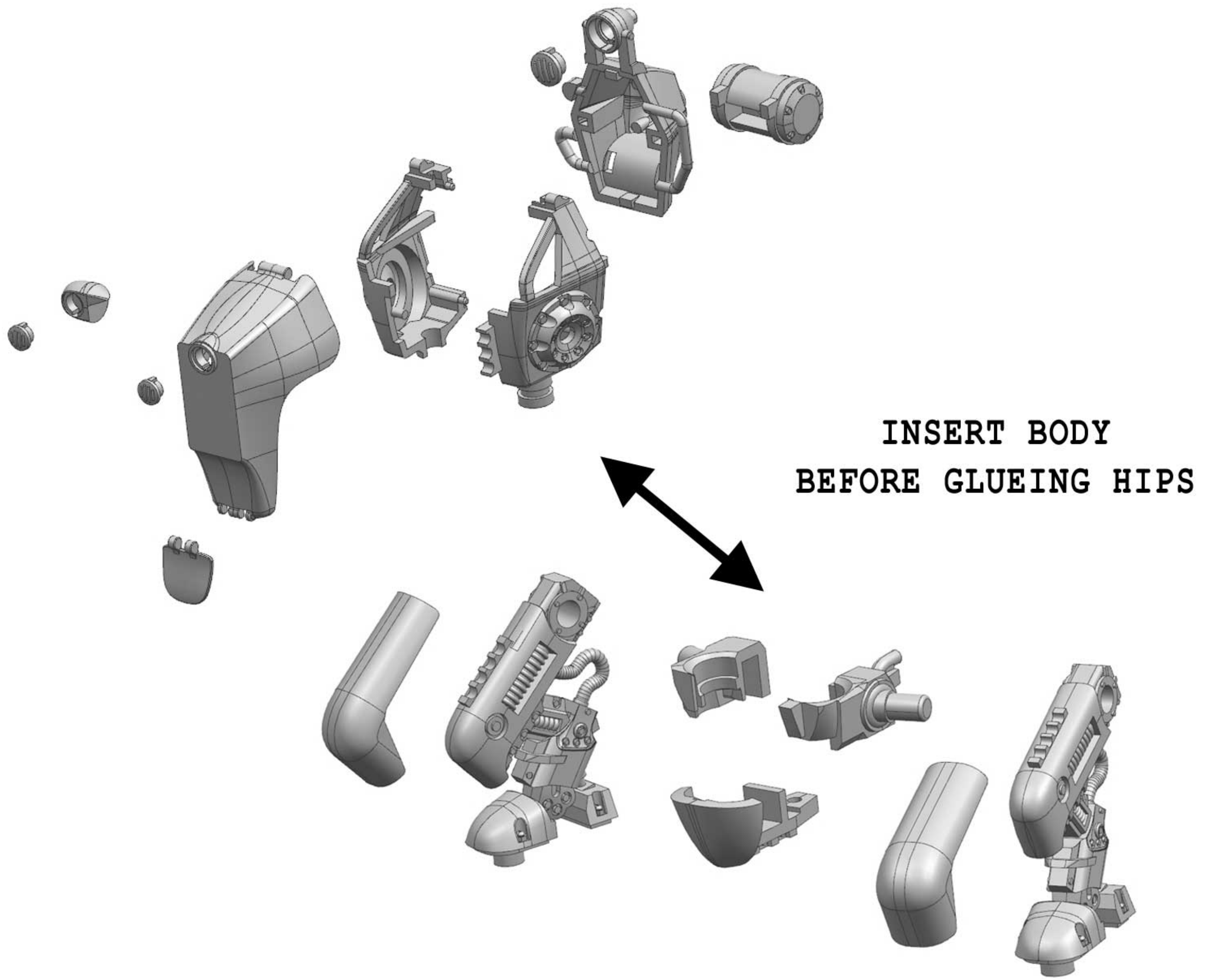


ARMS AND WEAPONS ASSEMBLY.

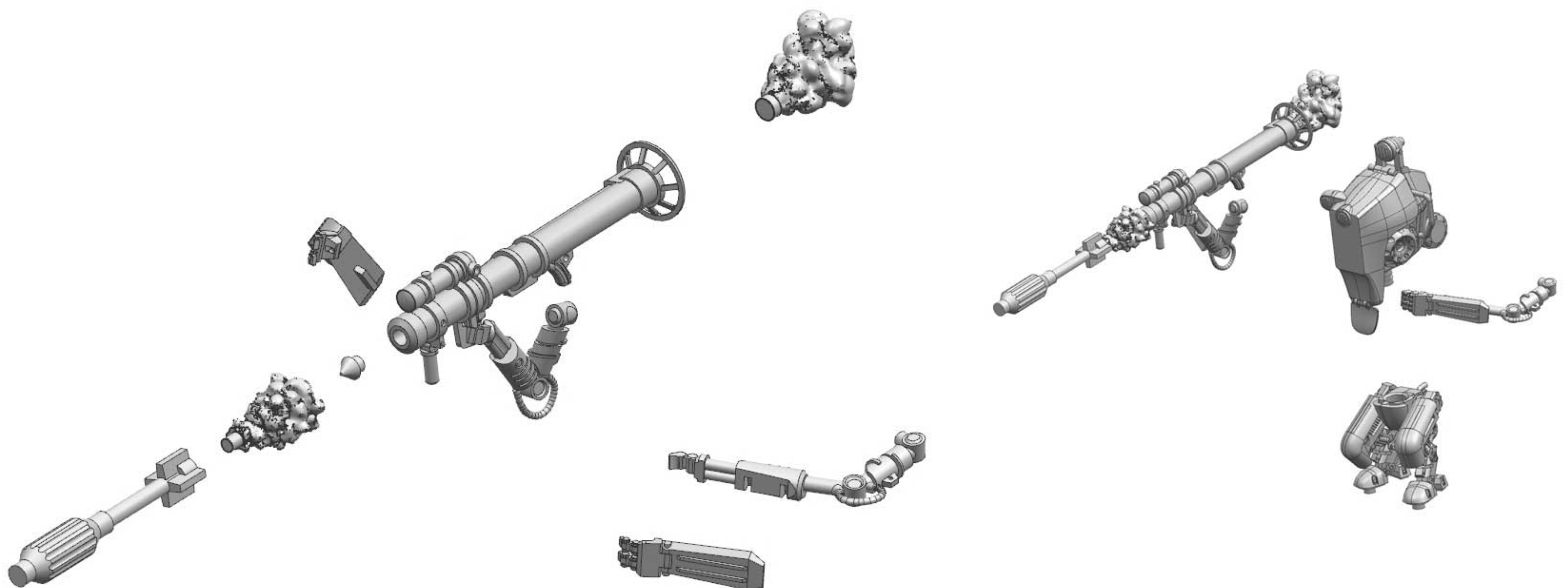


FINAL STEP.

SOLDIER N.3 BODY AND LEGS ASSEMBLY.



ARMS AND WEAPONS ASSEMBLY.



FINAL STEP.