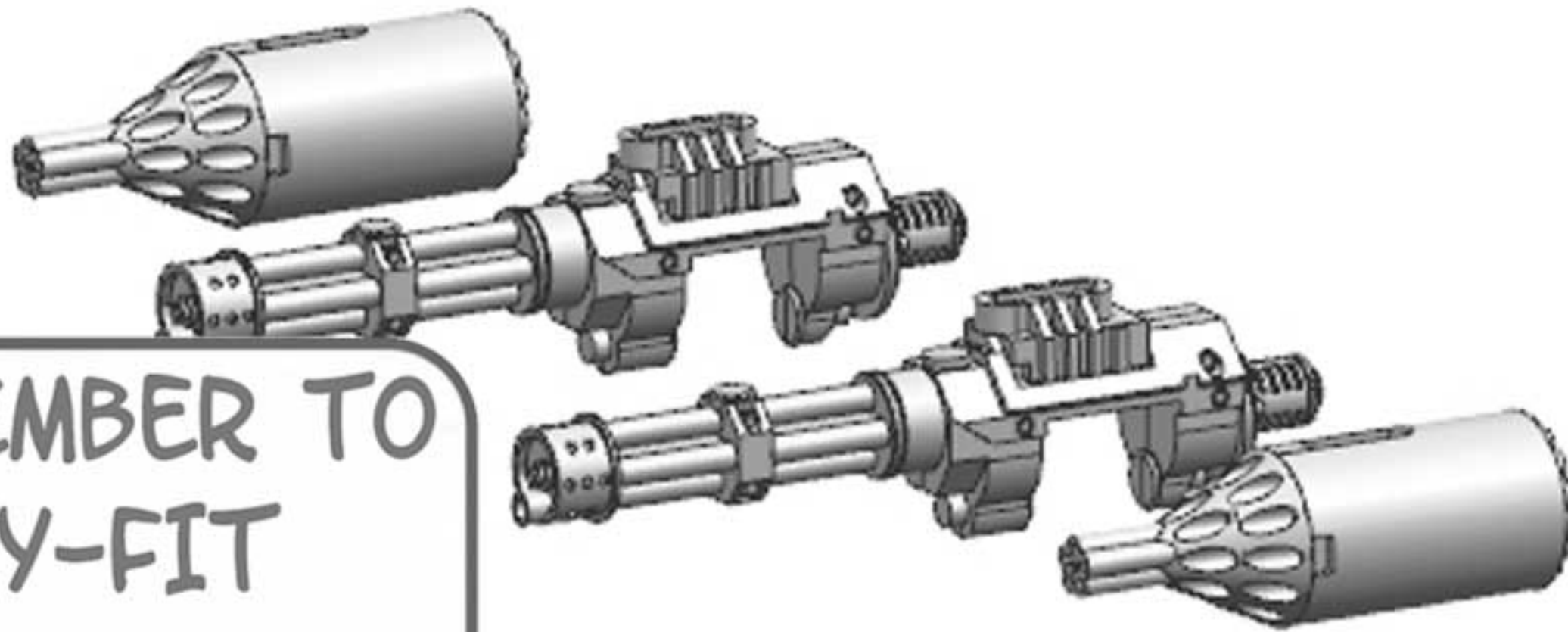
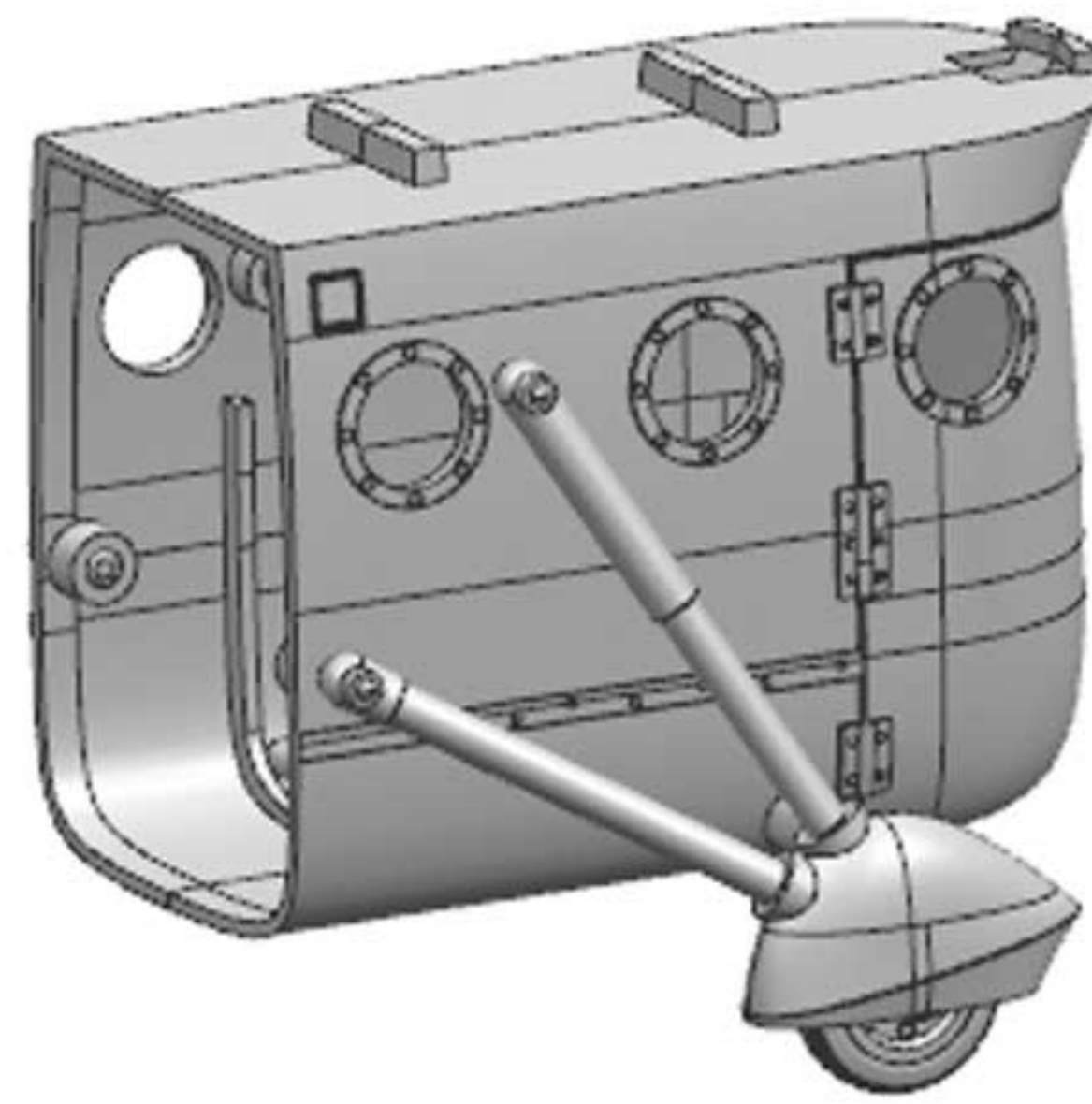
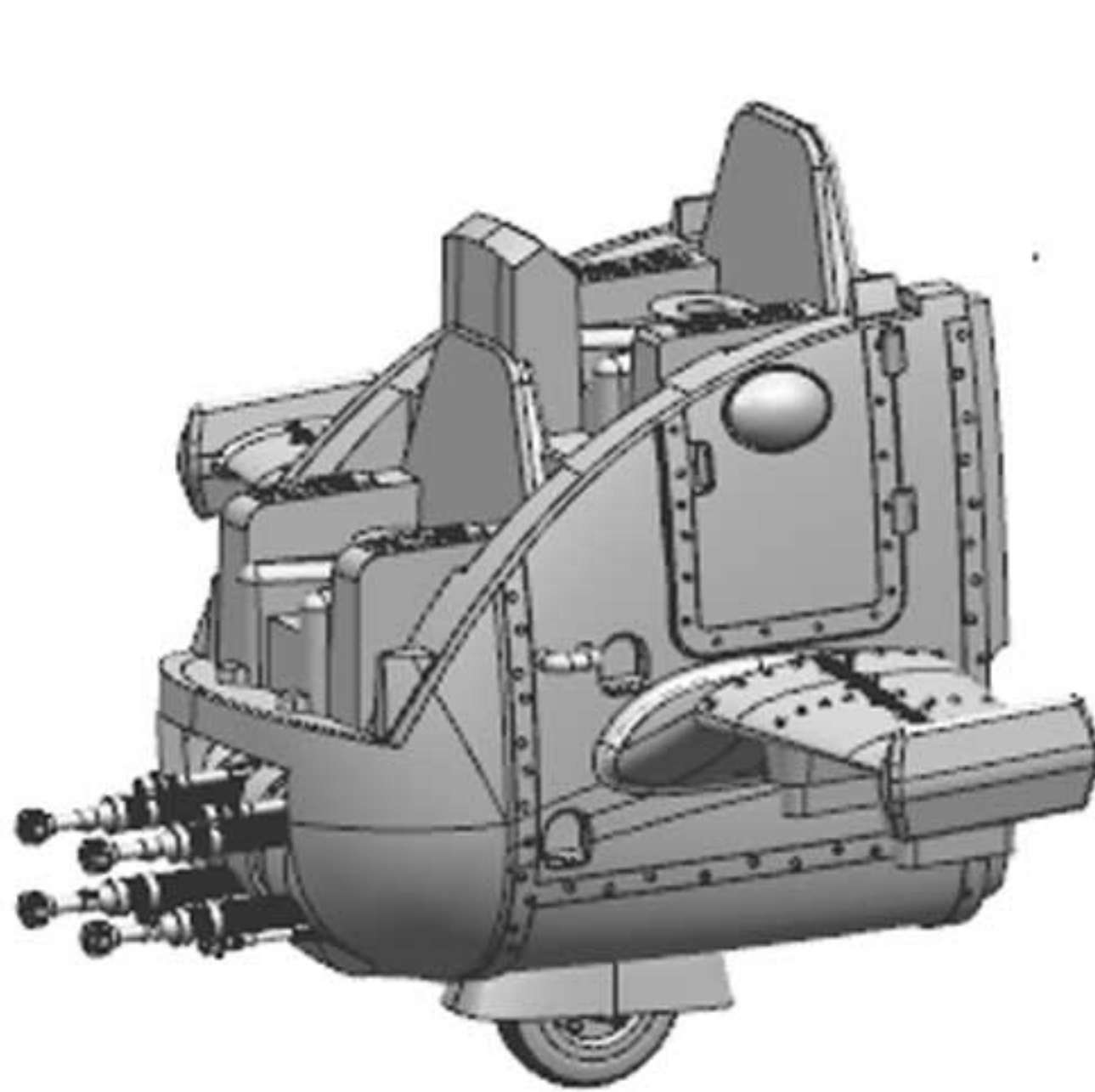
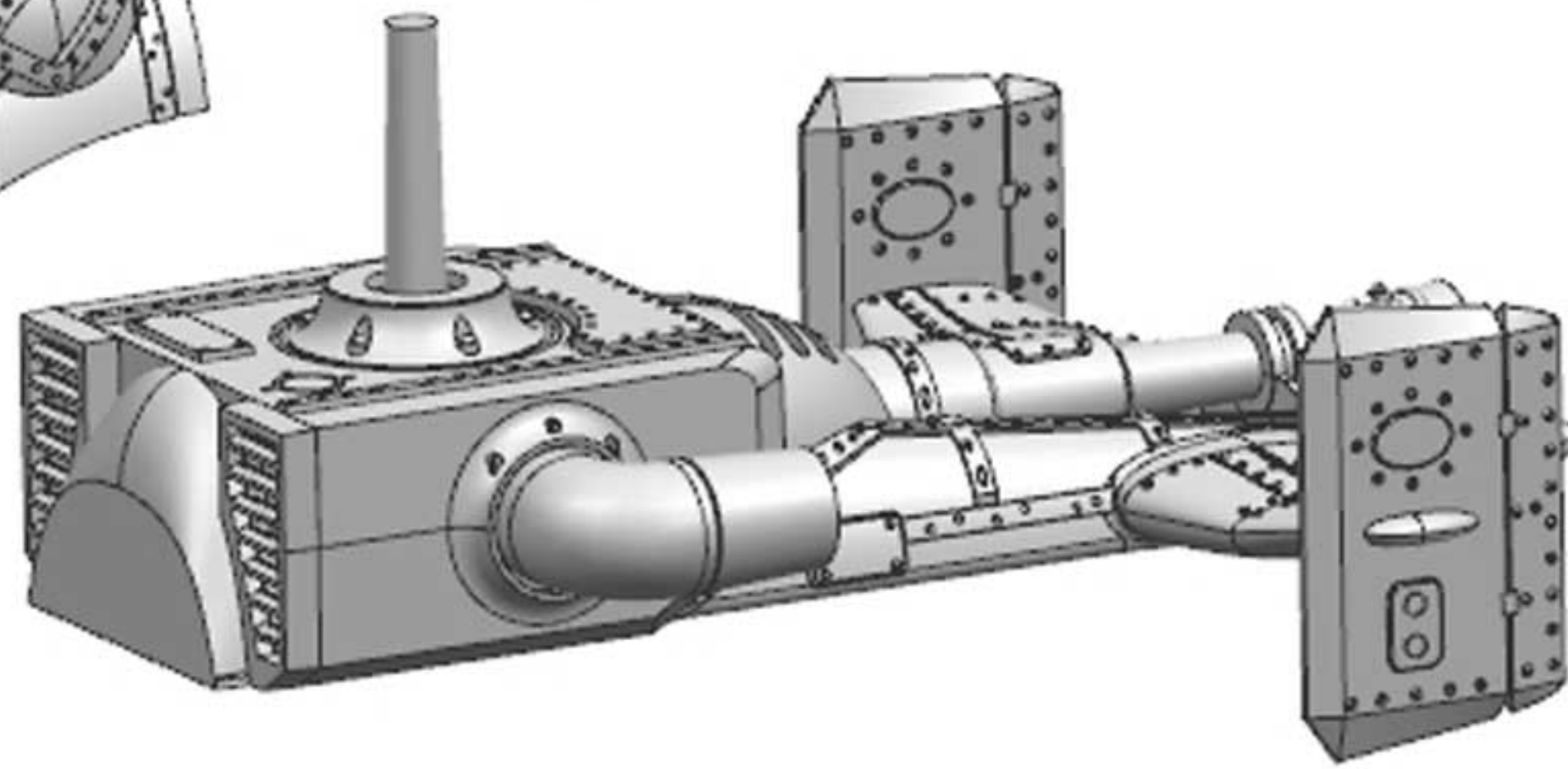
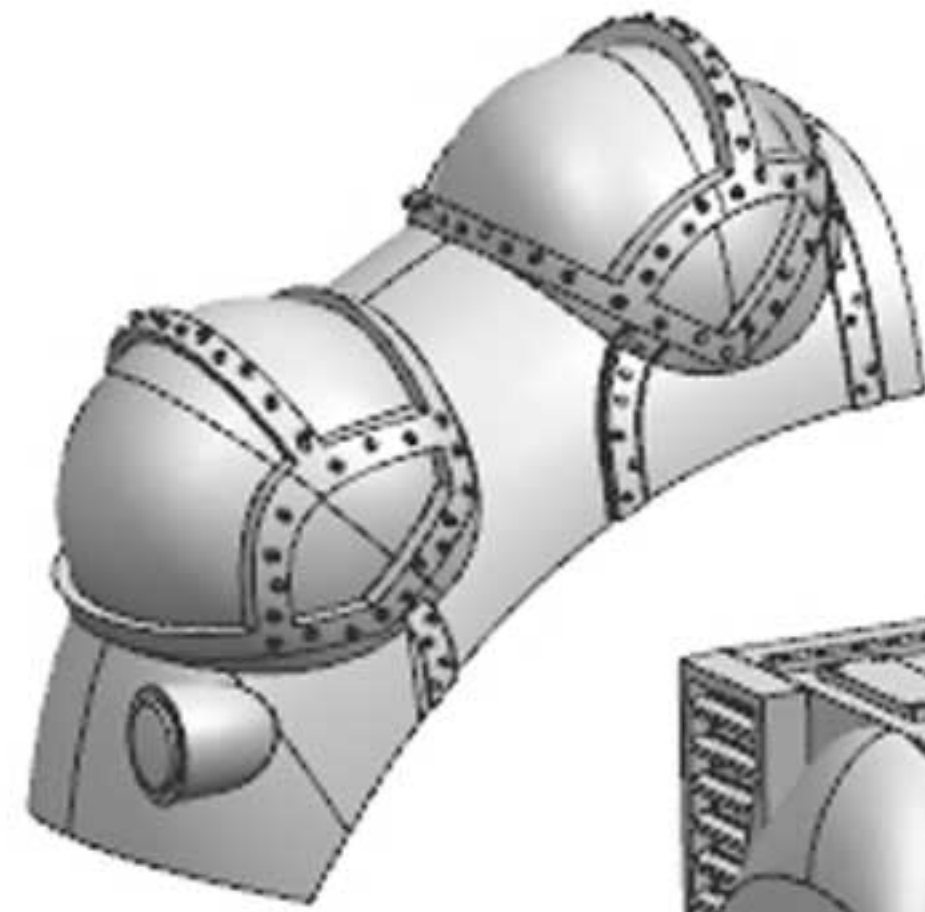
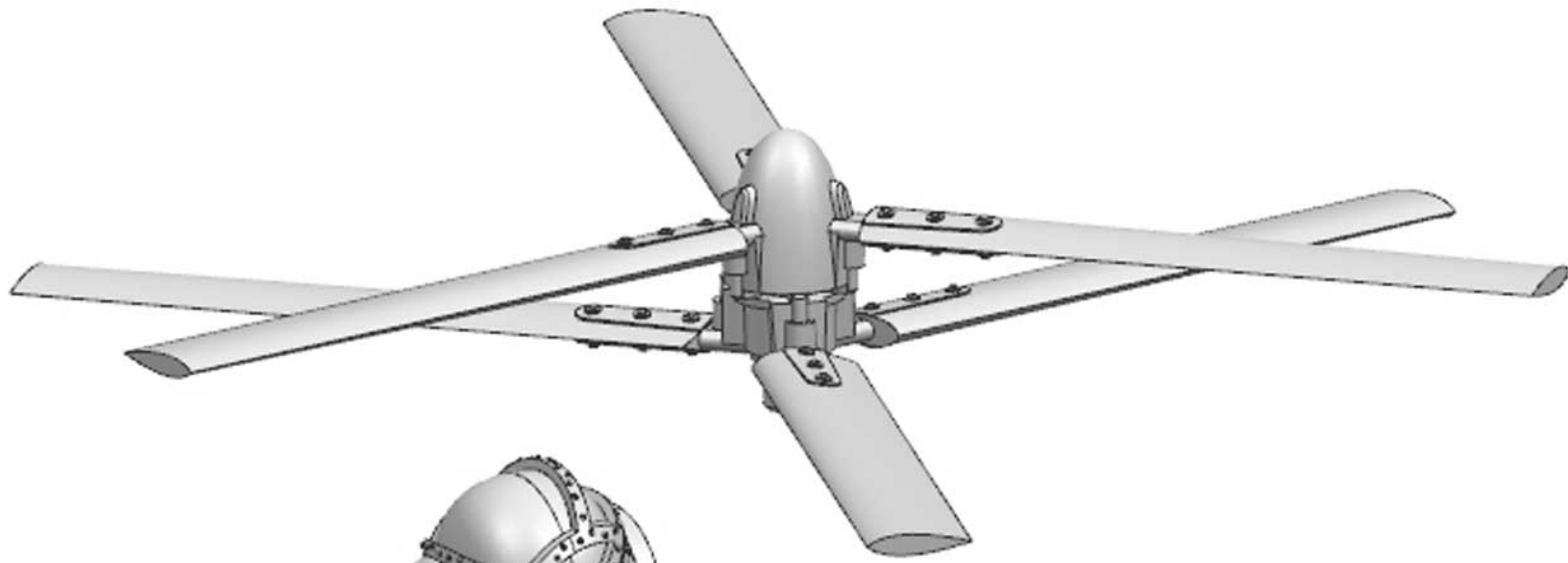


INVADER

MIL MI-46H AIR GUNSHIP



REMEMBER TO
DRY-FIT
YOUR PARTS
BEFORE USING
ANY GLUE.



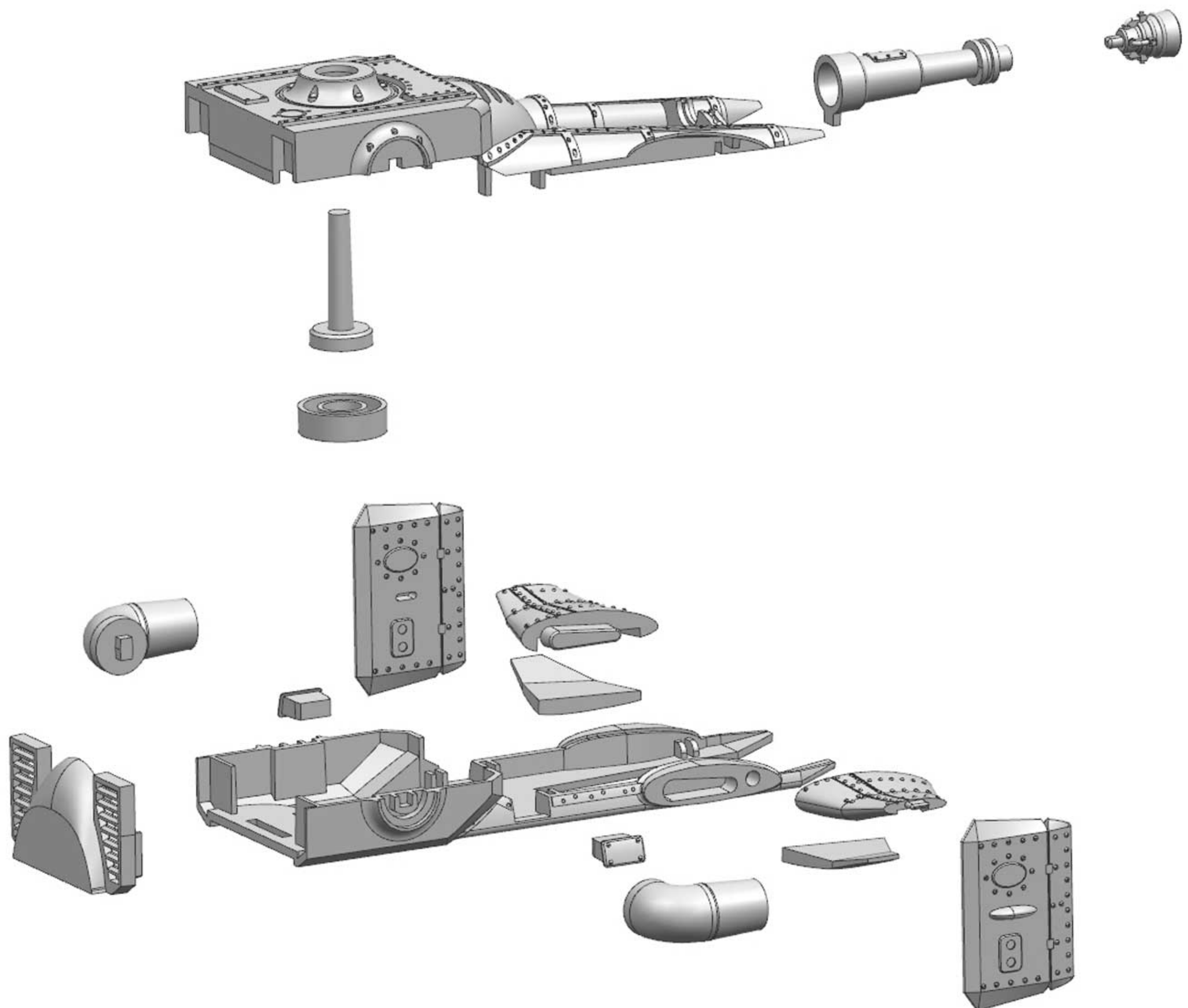

DUBAT
STUDIO

K-SU818

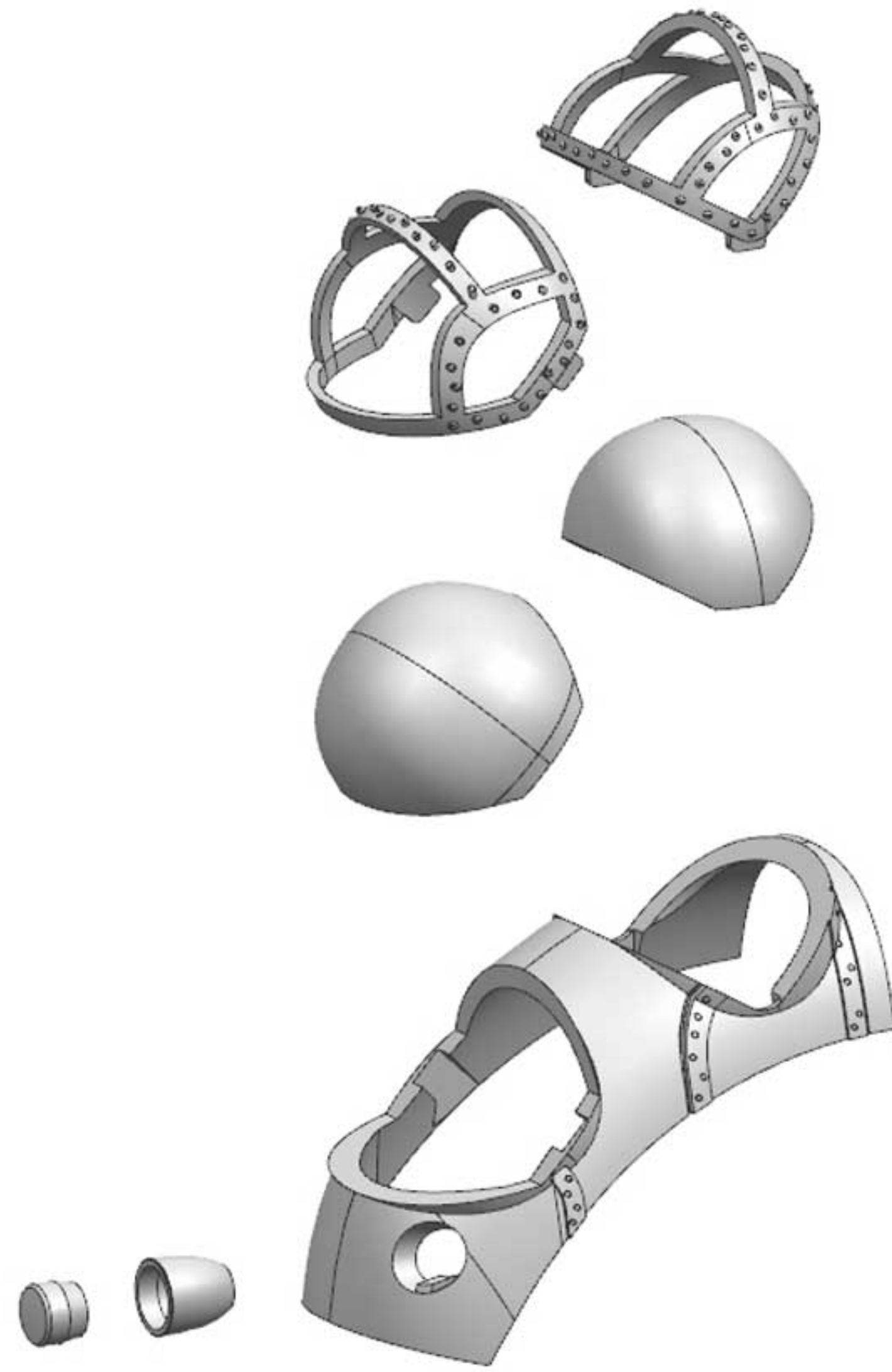
ROTOR ASSEMBLY.



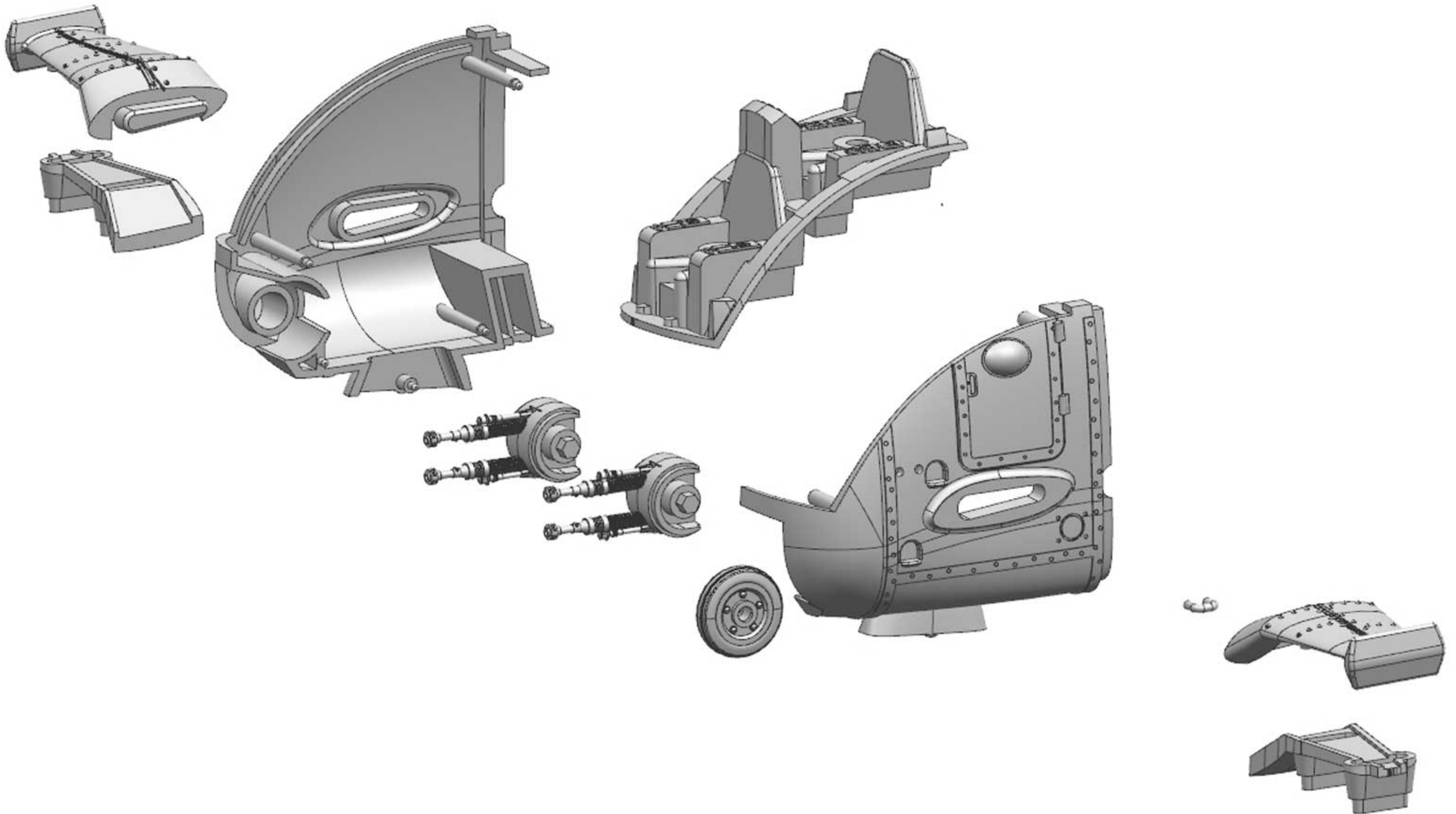
ENGINE ASSEMBLY.



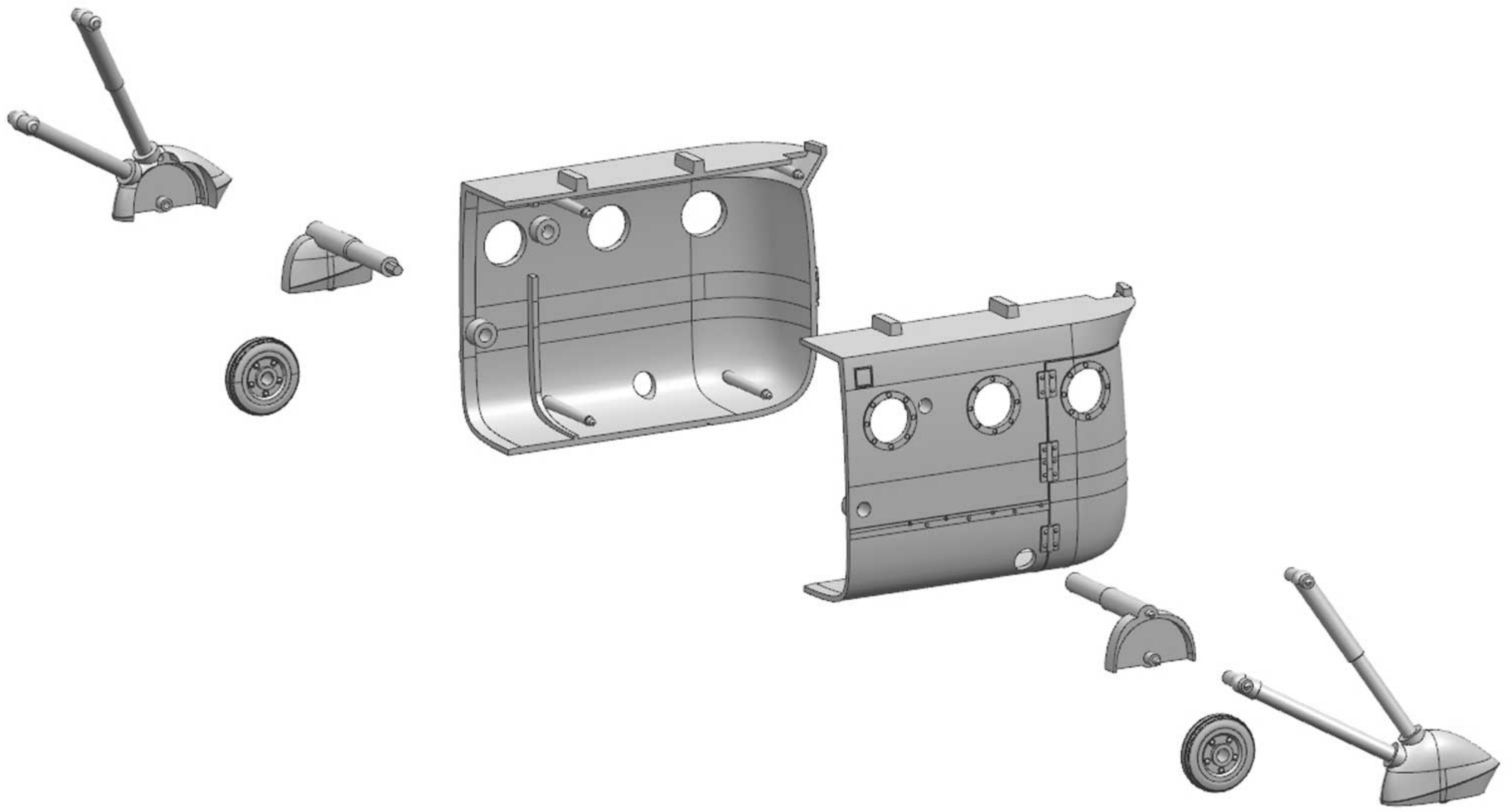
COCKPIT ASSEMBLY.



MAIN CABIN ASSEMBLY.



PASSENGER CABIN ASSEMBLY.



WEAPONS ASSEMBLY.

