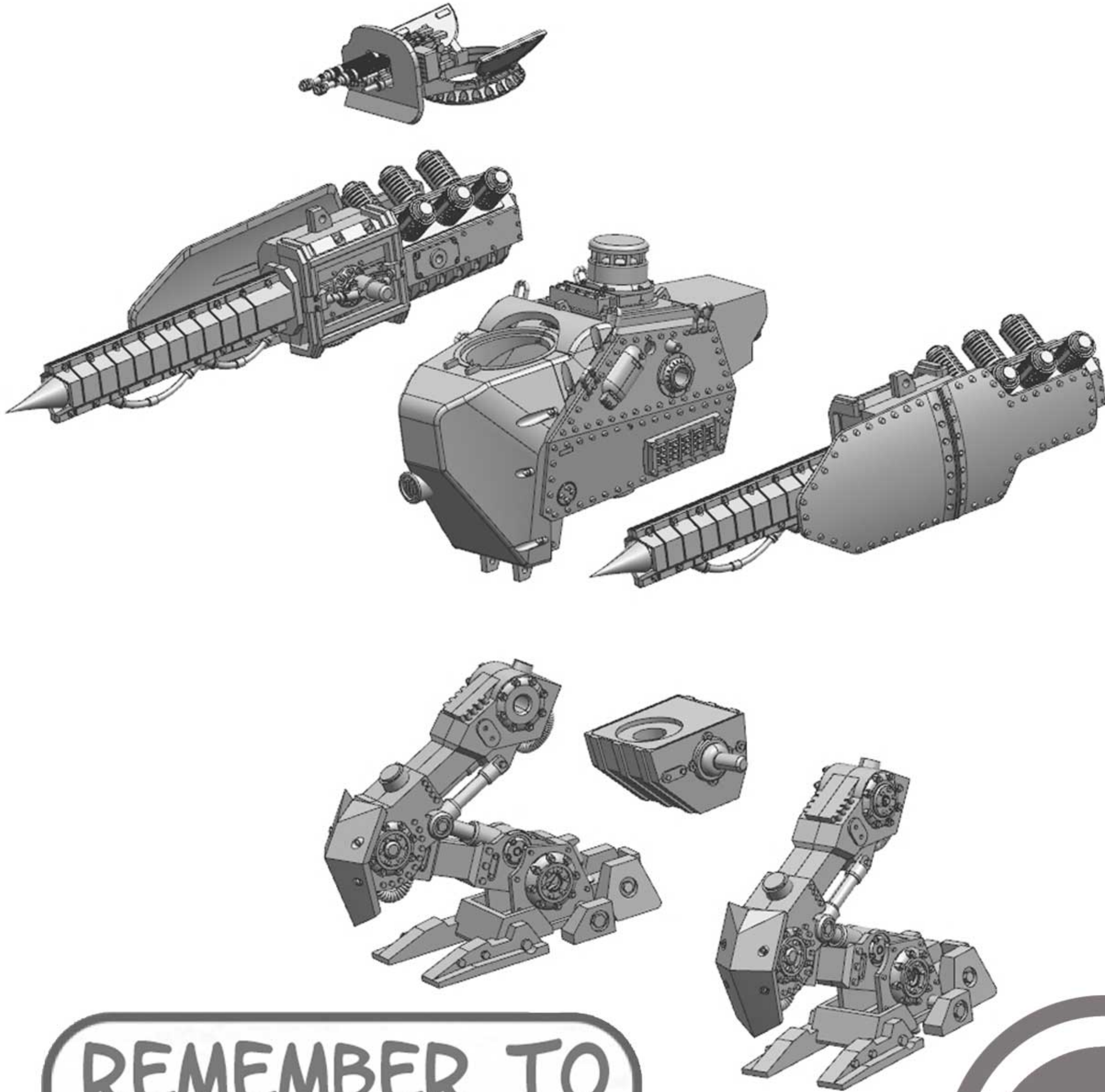


TYPE 47

KV3D HEAVY TESLA WALKER



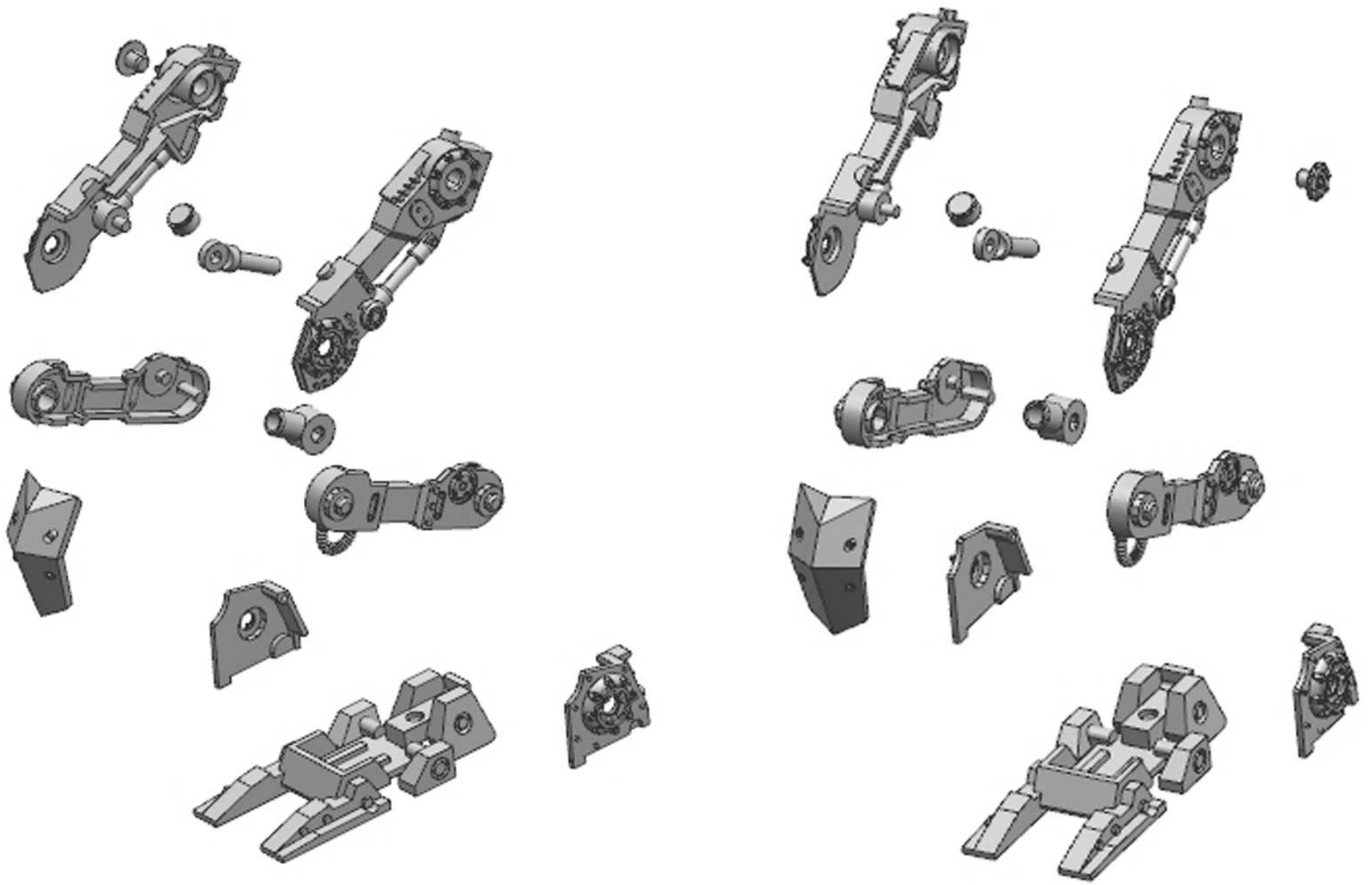
REMEMBER TO
DRY-FIT
YOUR PARTS
BEFORE USING
ANY GLUE.



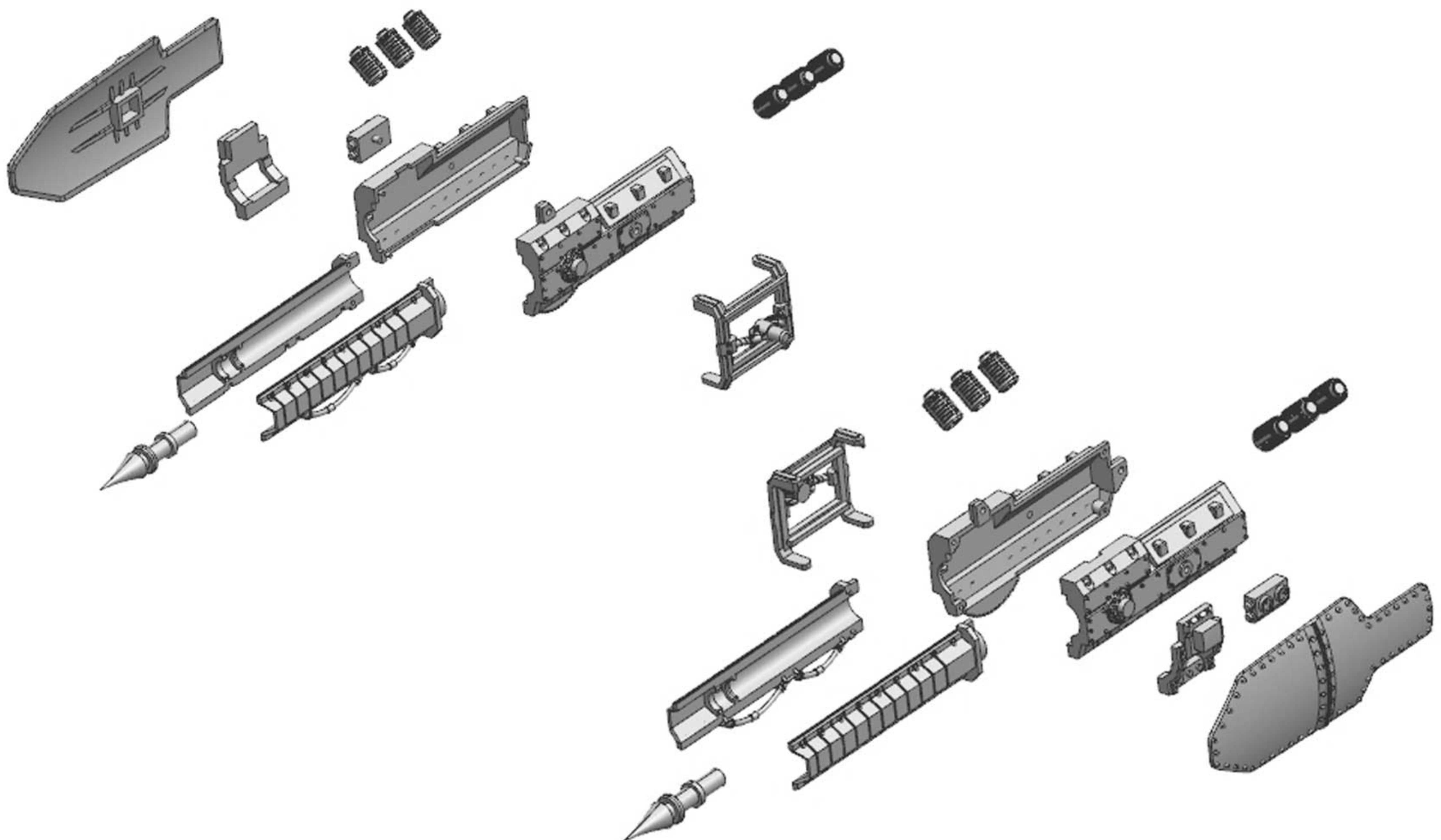
TOLOKAT
STUDIO

K-SU724

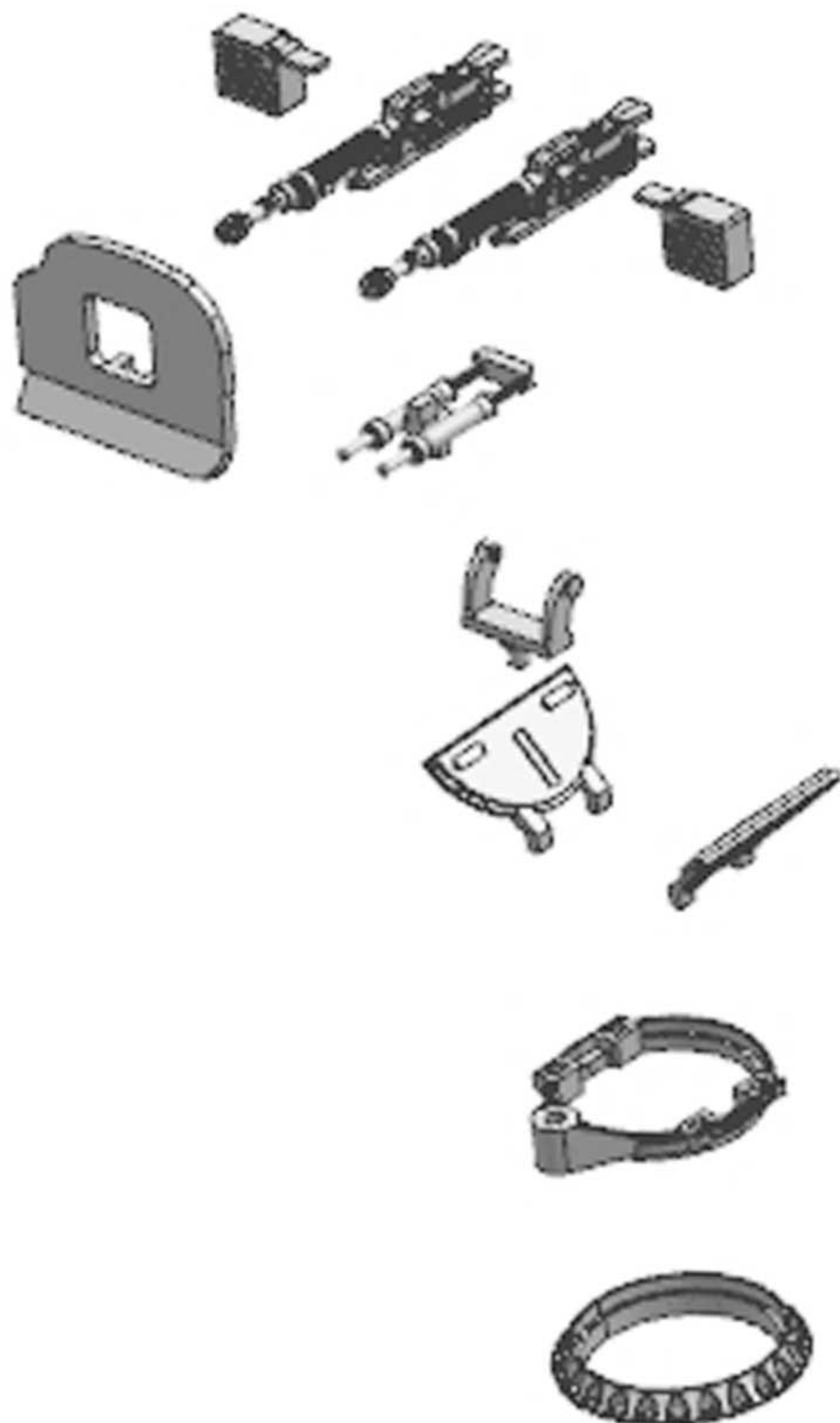
LEGS L+R ASSEMBLY.



HEAVY TESLA GUNS L+R ASSEMBLY.



COMMANDER CUPOLA HMG ASSEMBLY.



THIS SET INCLUDES
A SSU DECAL SHEET
AND TWO UNIT CARDS
ONE FOR THE SSU BLOC
AND ONE FOR THE PLA
CHINESE FACTION.

