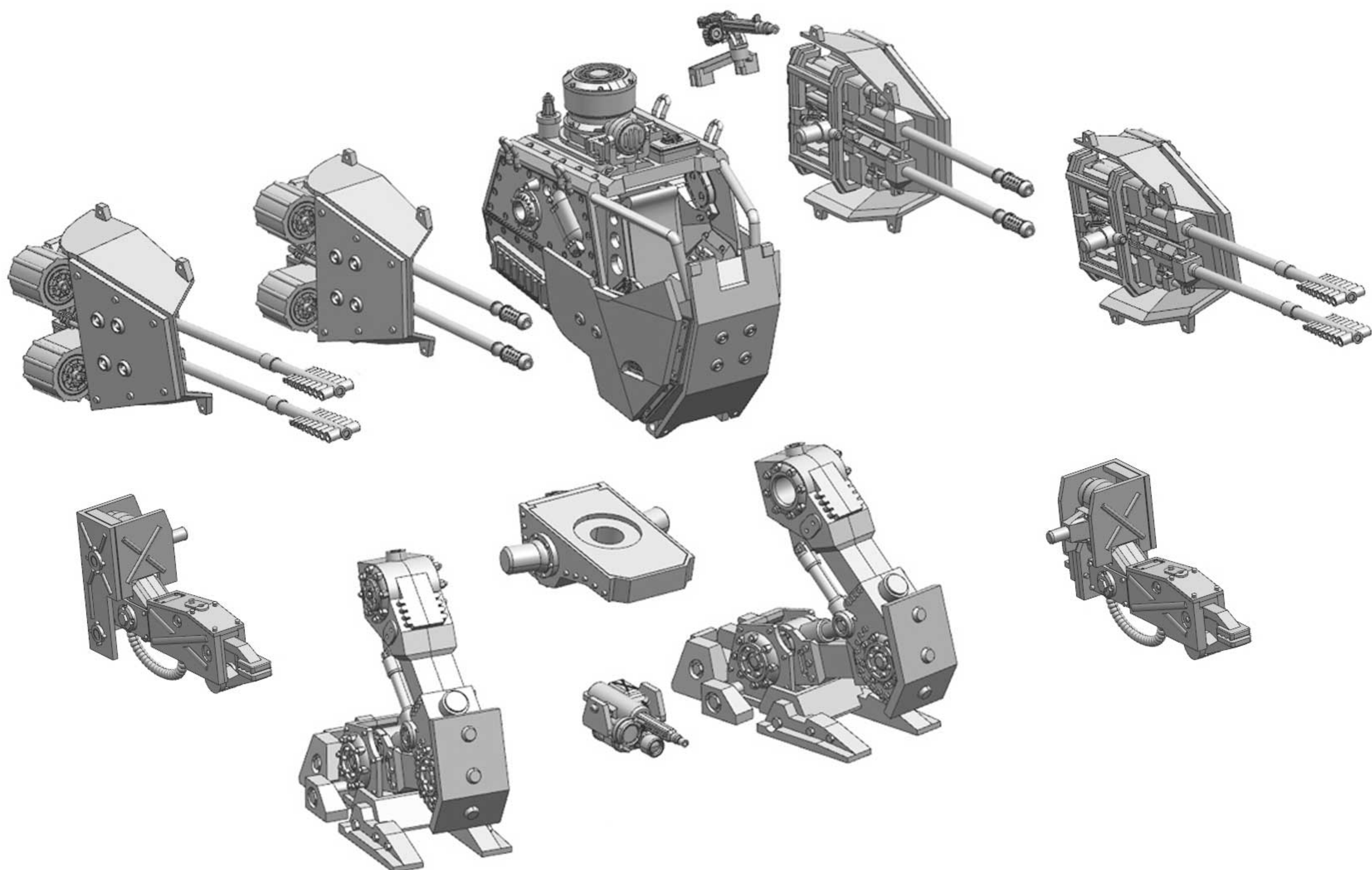


# NDAK LOTH/LOKI (TROP)

## ASSEMBLY INSTRUCTIONS

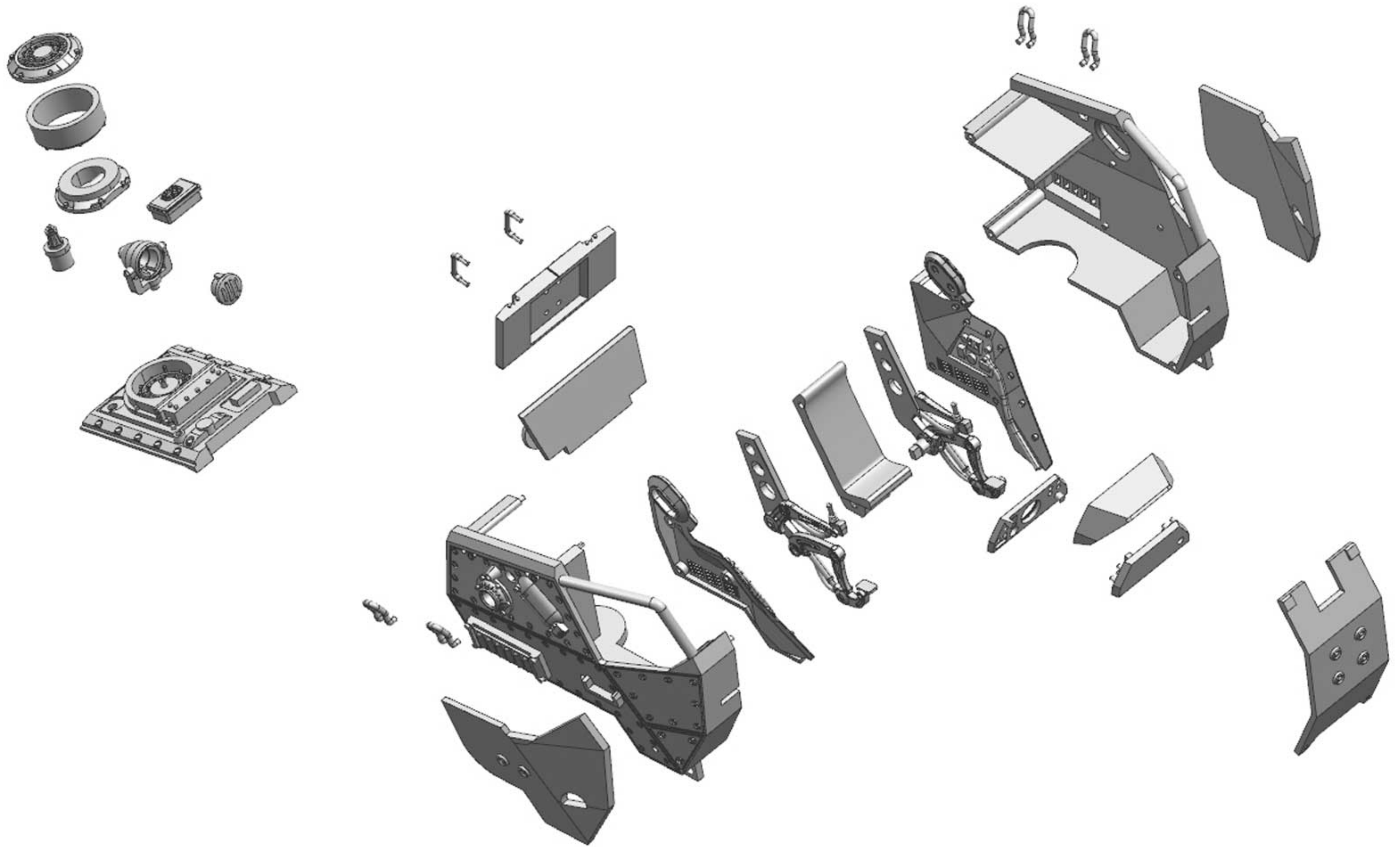


REMEMBER TO  
DRY-FIT  
YOUR PARTS  
BEFORE USING  
ANY GLUE.

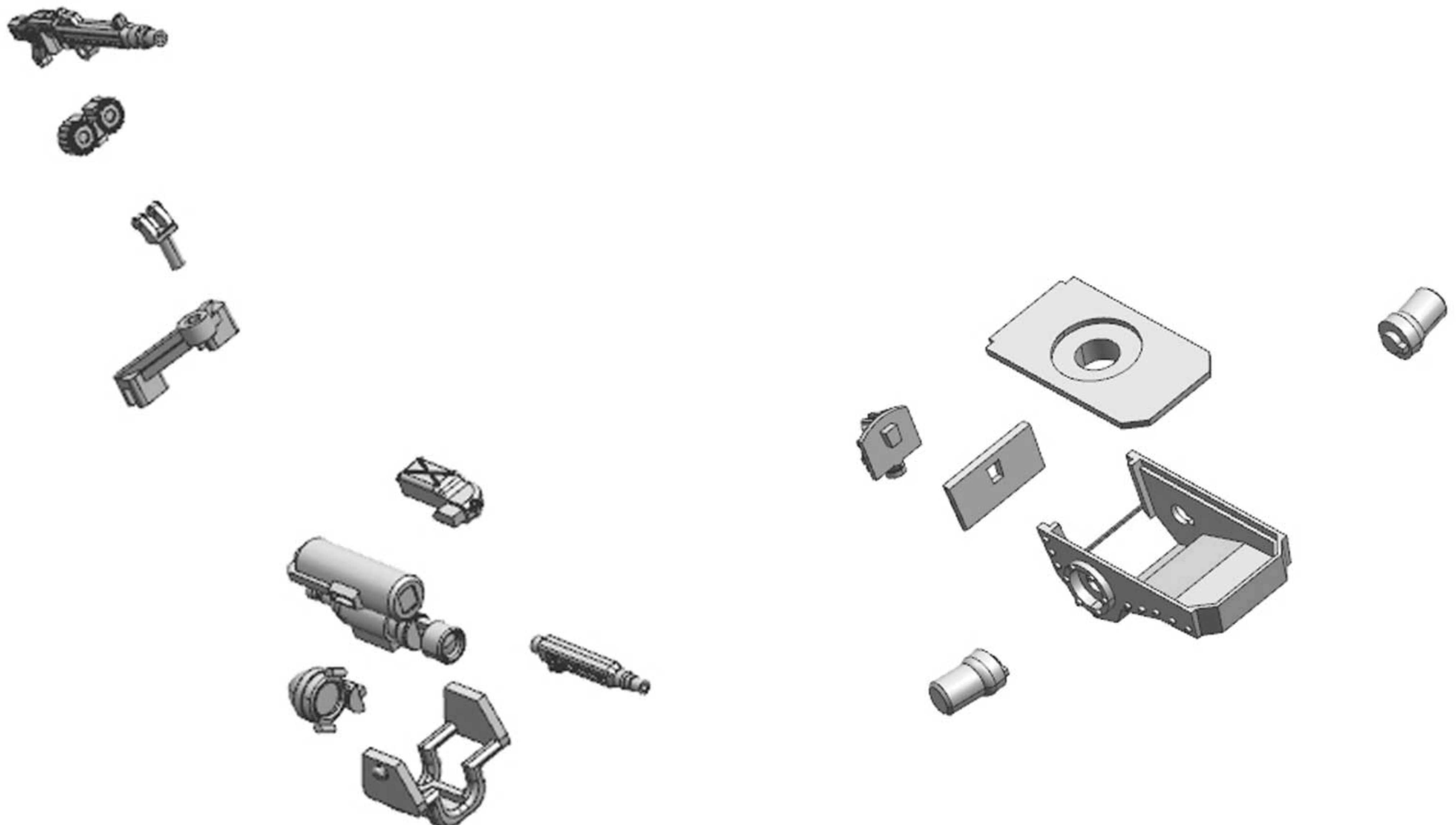


# K-AX705

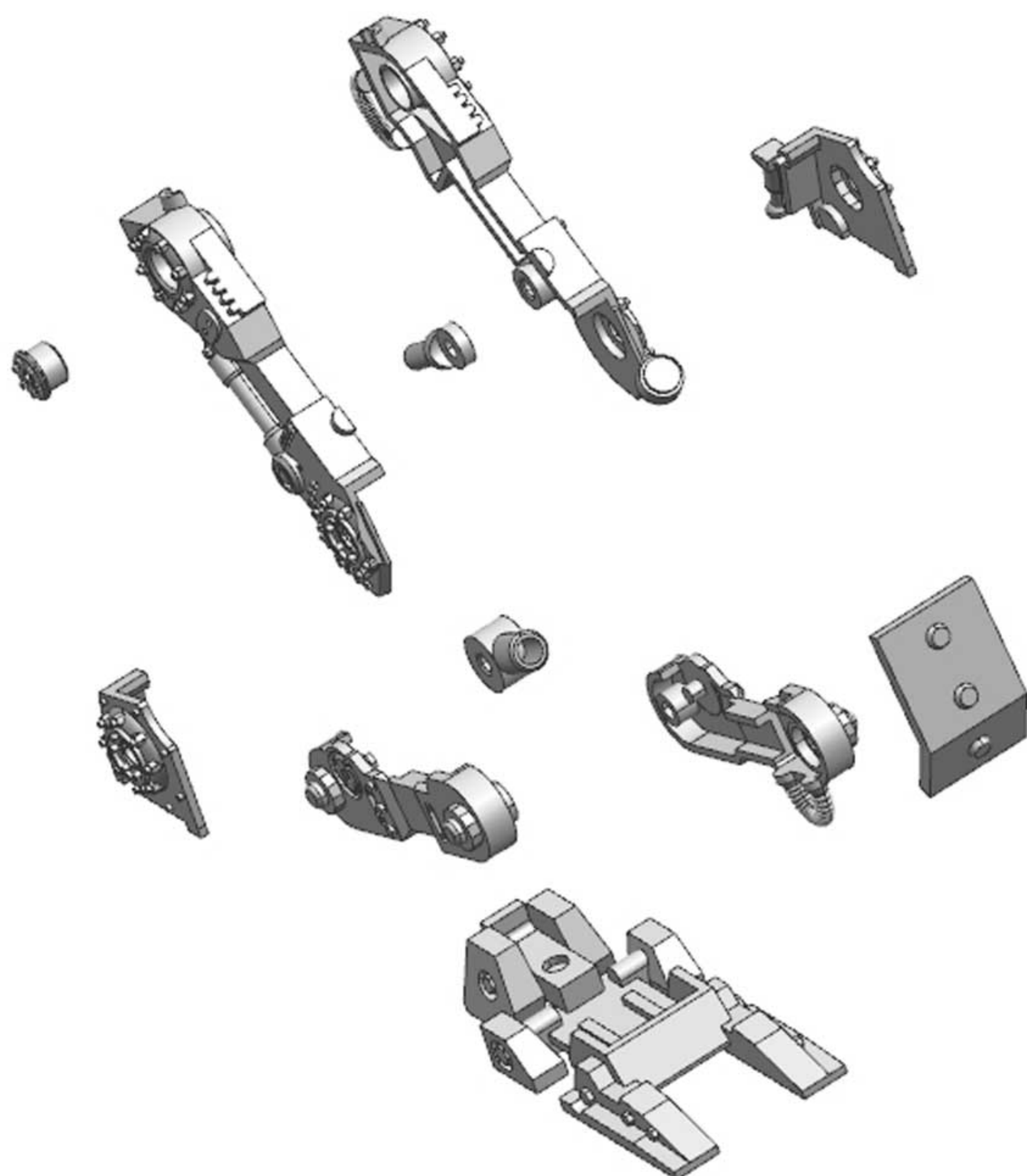
# MAIN BODY



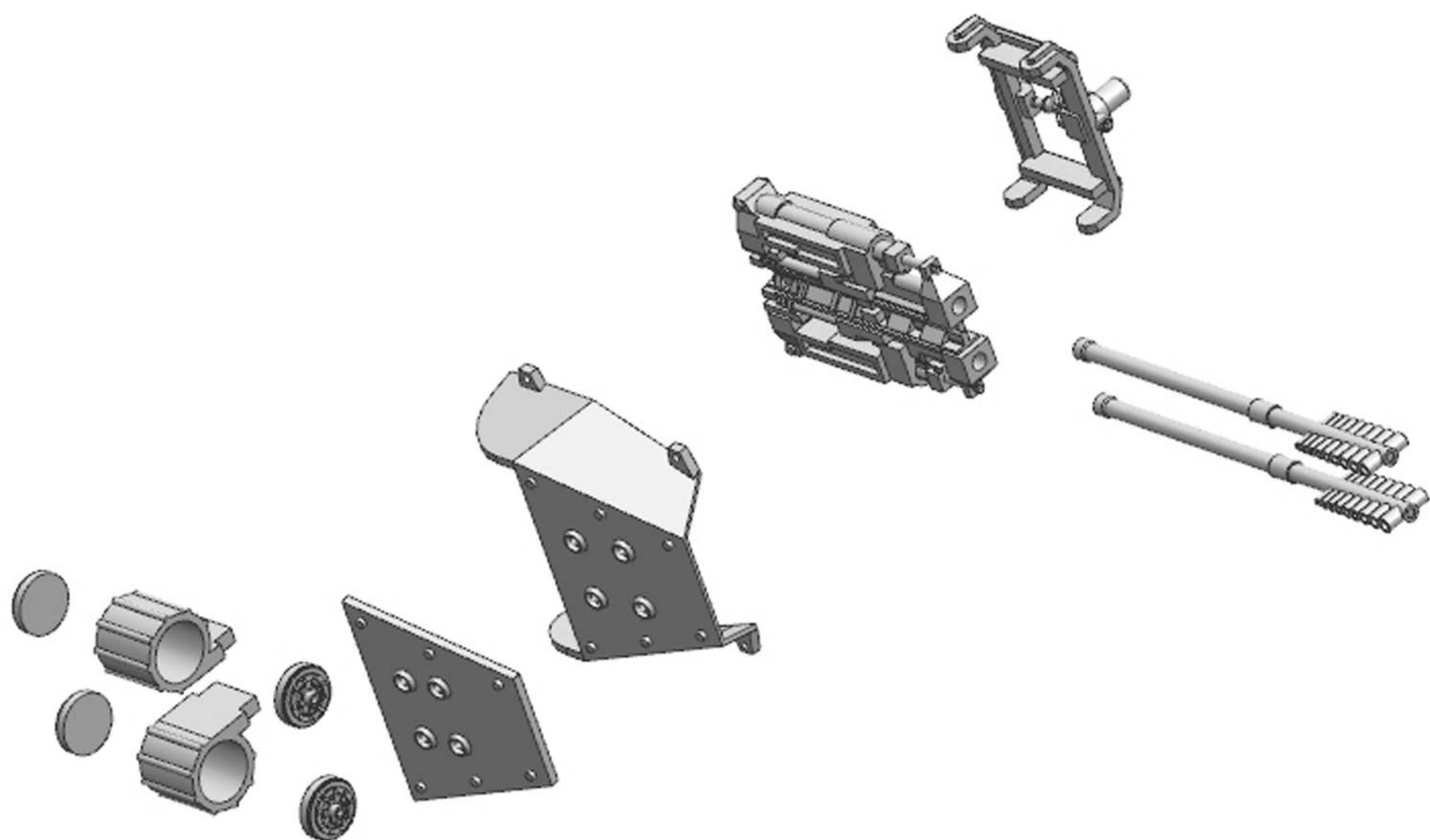
# MACHINEGUNS + HIPS



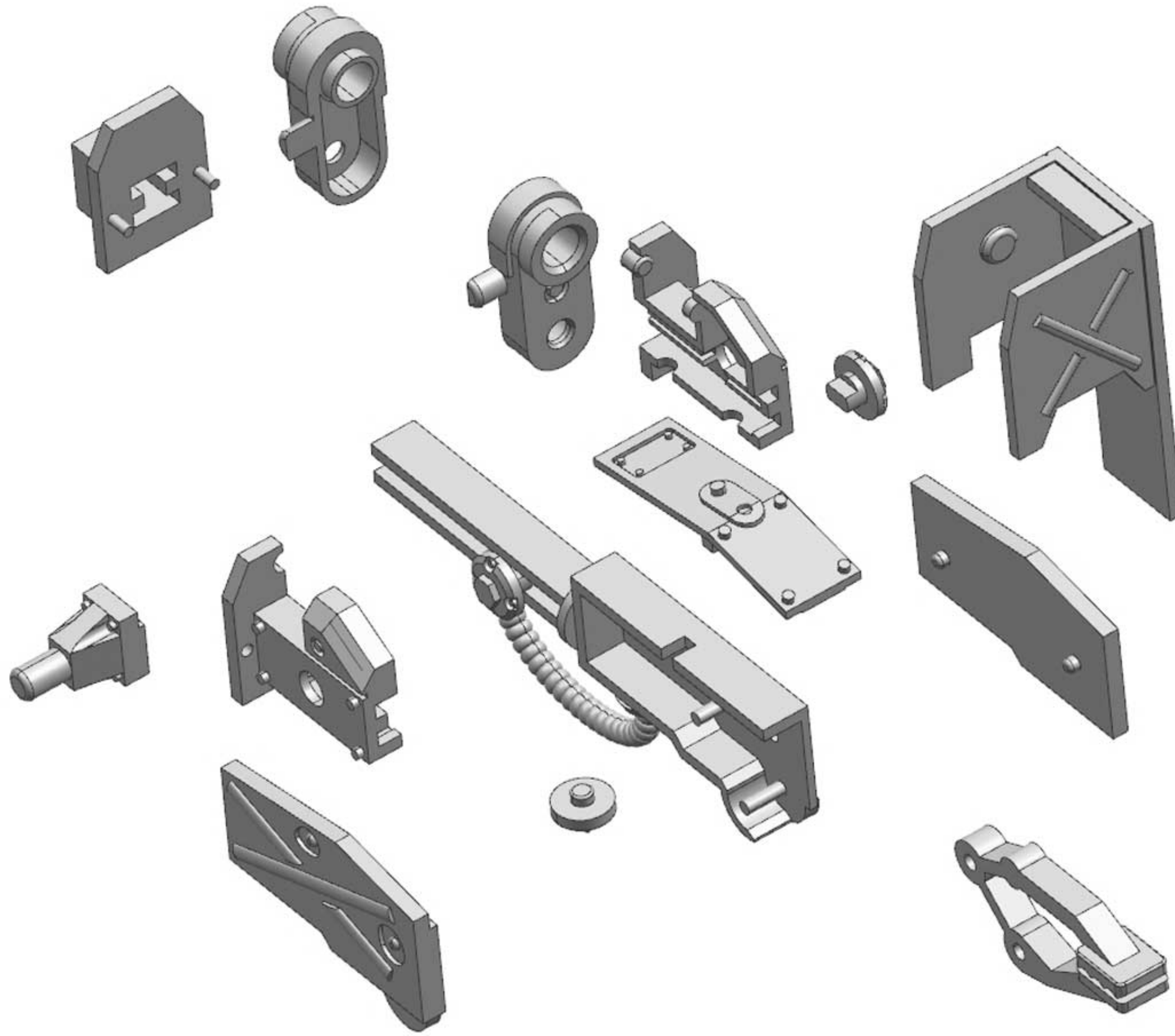
# LEG X2



# MAIN WEAPON N.1



# MAIN WEAPON N.2 LEFT



# MAIN WEAPON N.2 RIGHT

